

EN

LR 1160.1 unplugged

LR 1103.04.08
www.liebherr.com

LIEBHERR

Crawler cranes

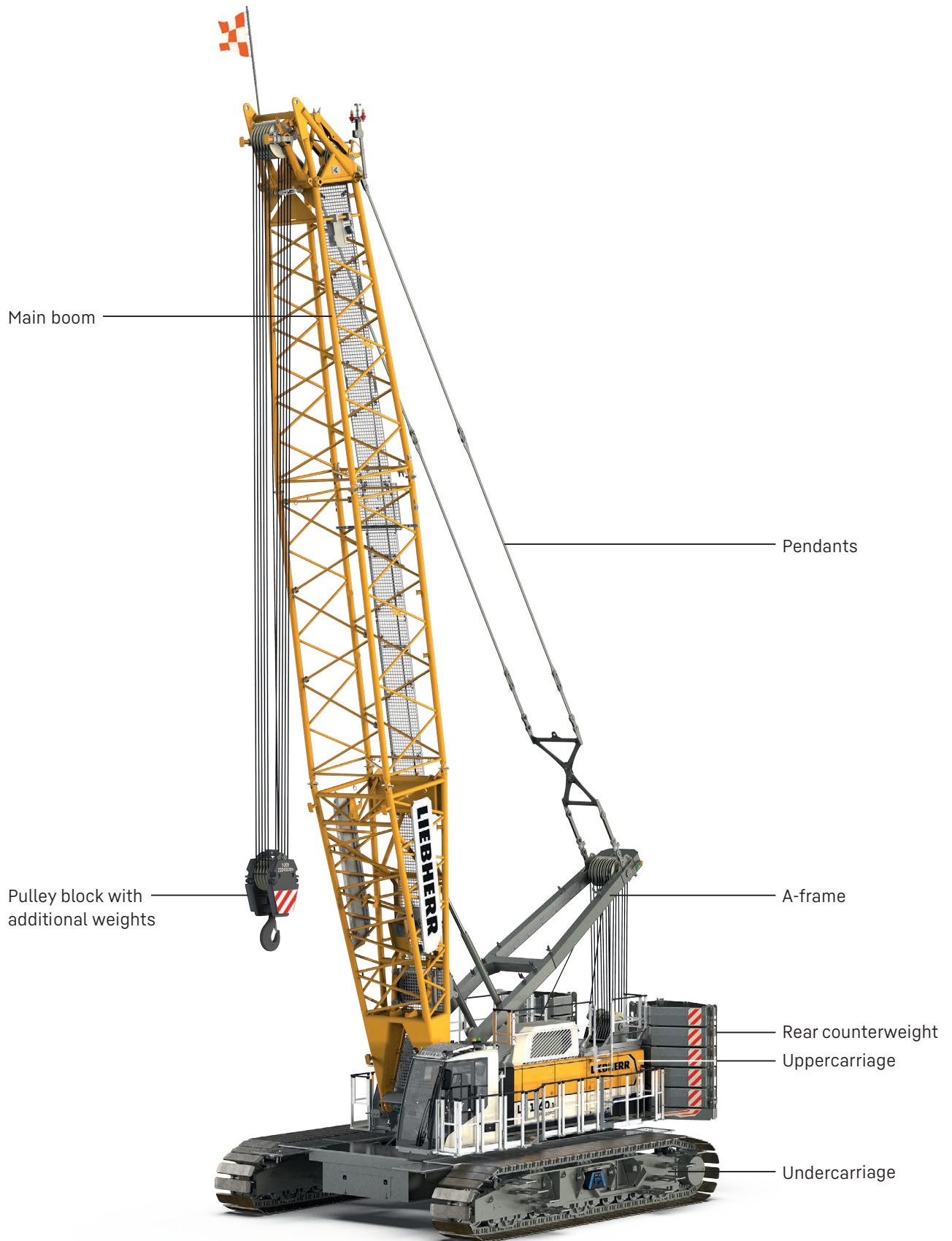


Concept and characteristics	3
Technical description	8
Dimensions	10
Transport dimensions and weights	11
Self-assembly system	16
Boom combinations	18
Main boom 2018.xx	20
Luffing jib 1309.xx	22
Luffing jib 1713.xx	28
Fixed jib 1008.xx	34
Fixed jib 0806.xx	37

Remarks

- The load capacities stated are valid for lifting operation only (corresponding with crane classification according to ISO 4301-1, crane group A1).
- Machine standing on firm, horizontal ground.
- The weight of the lifting device (pulley block, hoist ropes, shackle etc.) must be deducted from the load capacity.
- Additional equipment on boom (e.g. walkways) must be deducted from the lifting capacity.
- The max. admissible wind speed can be preselected in the LML software and referred to in the load chart.
- Working radii are measured from centre of swing and under load.
- The load capacities are valid for 360 degrees of swing.
- Calculation of stability under load is based on ISO 4305 Table 1 + 2 + 3, tipping angle 4°.
- The structures are calculated according to EN 13001-1; EN 13001-2.
- The last digits of the given dimensions are rounded to 0 and 5 and may differ from the actual dimensions.
- Weights may vary depending on the delivered configuration of the machine filling level of the tanks as well as generally valid tolerances.
- The figures in this brochure may include options which are not within the standard scope of supply of the machine.

Concept and characteristics



Cabin with high comfort
– optimized view
– noise-reducing design
– orthopaedic seat

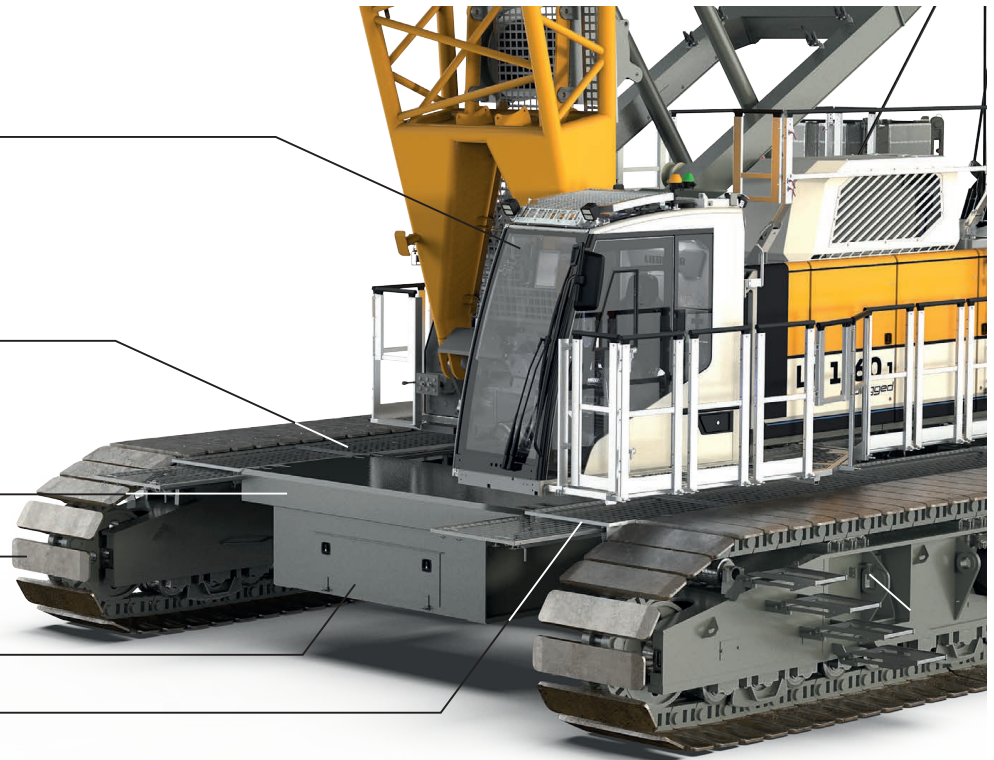
Additional
safety platform

Carbody counterweight 10 t

Crawler side frames with
1000 mm flat track pads

Storage compartment for tools

Platforms



High performance

A powerful, efficient and reliable electro-hydraulic drive system combined with a high-performance lithium-ion battery ensures high productivity and allows for several movements to be carried out simultaneously.

Cabin with high comfort

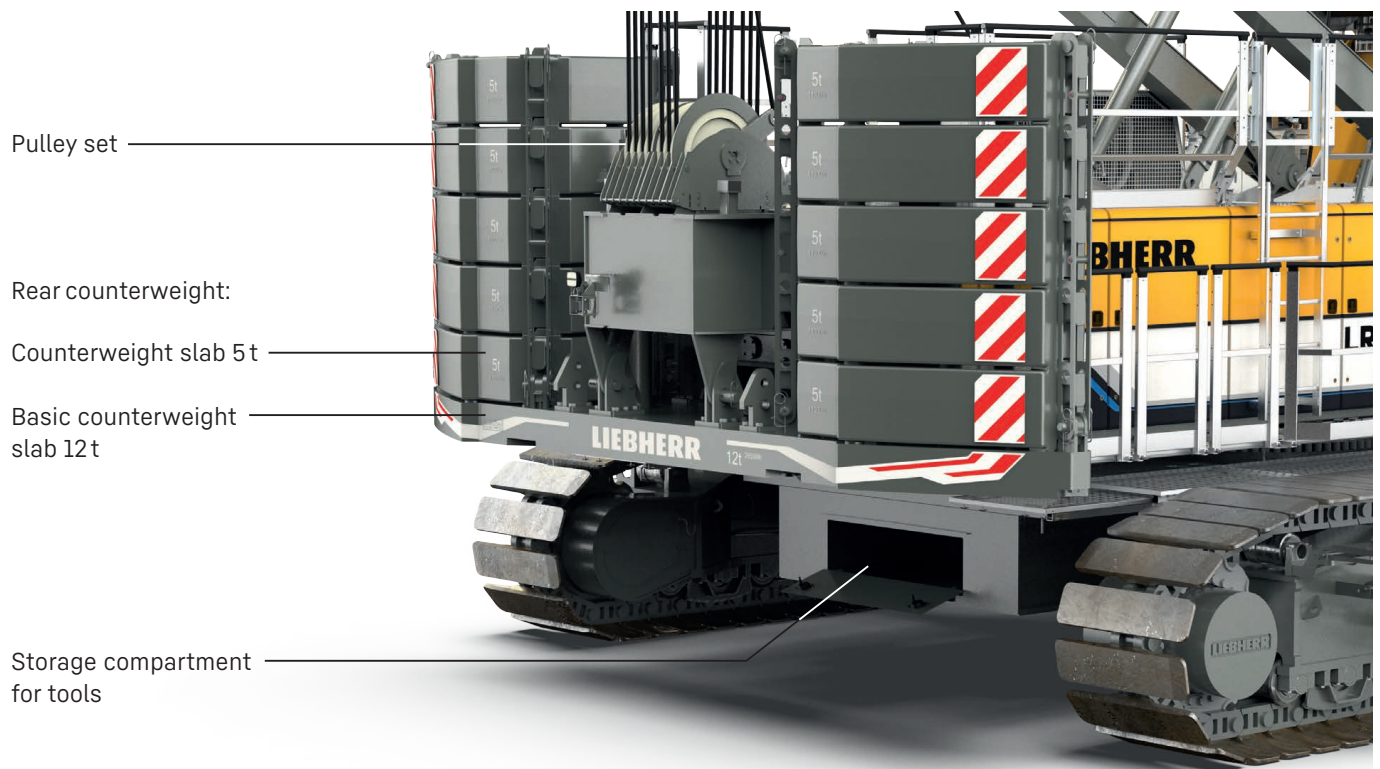
Optimised field of vision combined with enhanced comfort: an orthopaedic operator's seat with heating and cooling functions, as well as precise and ergonomic controls are included.

Ground pressure

The actual ground pressure is calculated according to the configuration and position of the machine and displayed in the operator's cabin. Using the optional Liebherr Crane-Planner the actual ground pressure can already be calculated and displayed in the planning stage.

Control system

Easy and intuitive handling of control, service and machine functions through a large, clear colour monitor. Built for extreme environmental conditions.



Pulley set

Rear counterweight:

Counterweight slab 5 t

Basic counterweight slab 12 t

Storage compartment for tools

Efficient self-assembly system and short assembly times

The self-assembly system enables safe, independent and quick assembly/disassembly of the crawler side frames, the carbody and rear counterweights, as well as boom elements.

Easy service

The design ensures easy maintenance and service as well as safe access to the components.

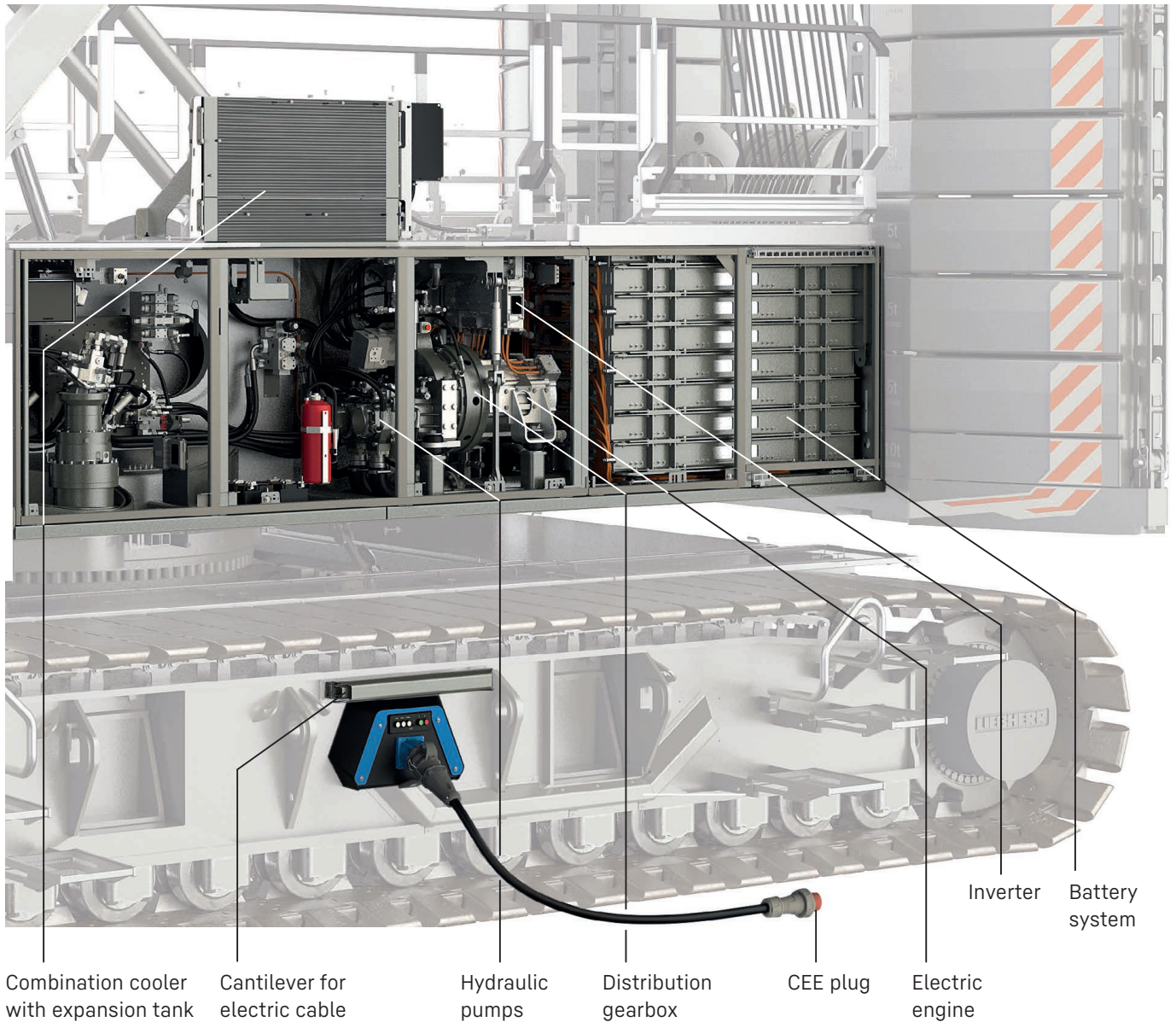
Mobility

Crane parts are optimized for transportation. The maximum transport width is 3 m.

Boom/jib

A variety of boom systems and configurations allow for optimum operation on the most diverse jobsites.

Exemplifying illustration



Combination cooler with expansion tank

Cantilever for electric cable

Hydraulic pumps

Distribution gearbox

CEE plug

Electric engine

Inverter

Battery system



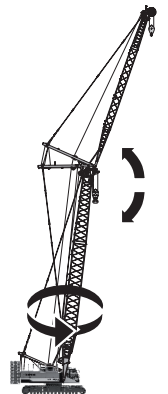
Control unit



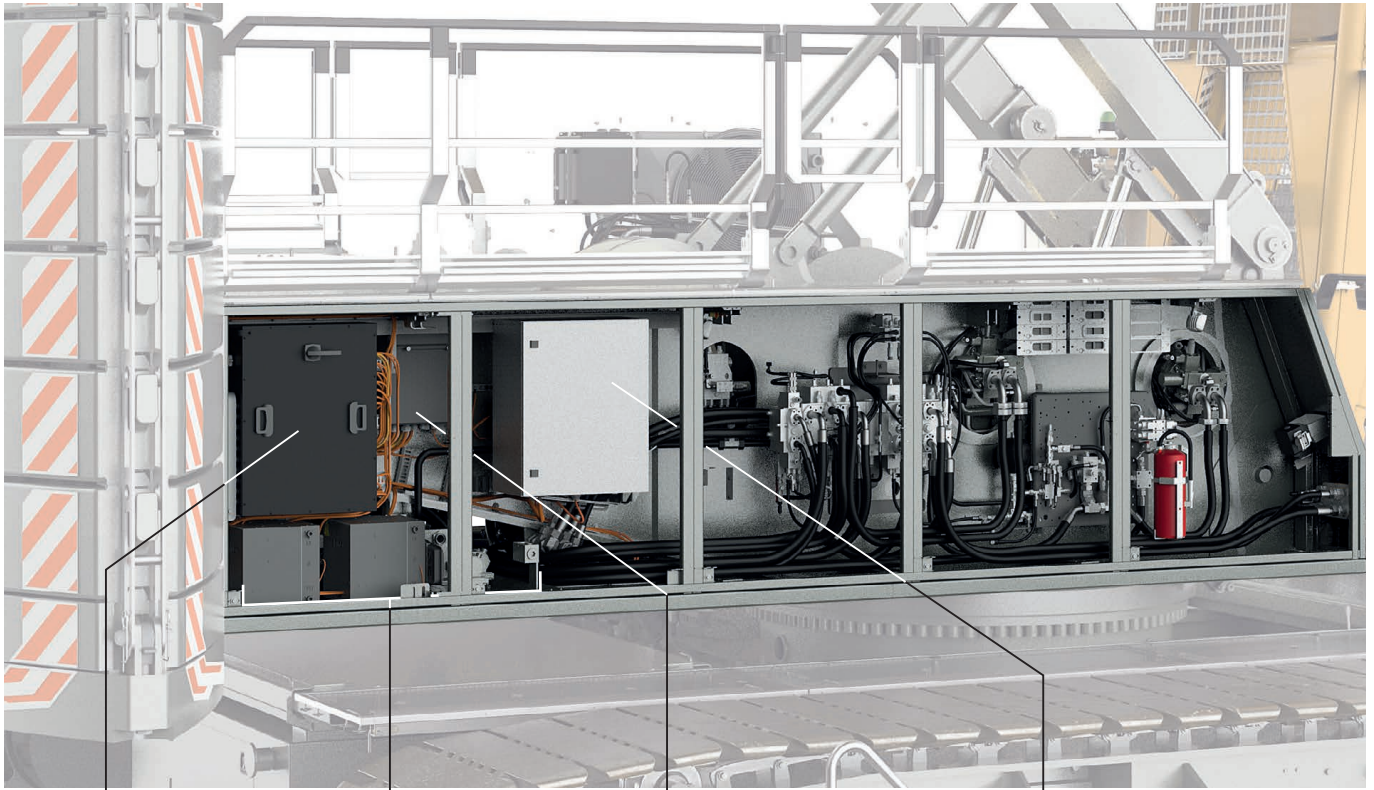
Charging power:
 - 20 kW (32 A / 400 VAC)
 - 40 kW (63 A / 400 VAC)
 - 80 kW (125 A / 400 VAC) option

Performance “plugged in”

The crane’s performance in “plugged” operation is in no way inferior to its diesel-driven performance. The machine can be used without limitations as the battery charges continuously when connected and so delivers sufficient energy at all times.



Exemplifying illustration



Switch cabinet 700VDC (Direct Current)

Thermal management system

Switch cabinet 400VAC (Alternating Current)

Switch cabinet 24V LVDU (Low Voltage Distribution Unit)

Performance “unplugged”

The crane’s performance in “unplugged” operation allows for erecting the boom and jib, for travelling a distance of approx. 650 m with full counterweight or for approx. 4 hours of crane operation.



Technical description



Drive system

Max. drive power	255 kW (45 °C temperature of cooling water)
Battery type	High Performance Battery System
Technology	Li-Ion NMC (nickel manganese cobalt)
Gross battery capacity	165 kWh
Option	198 kWh
Max. charging power	40 kW (CEE socket 63 A / 400 VAC) 20 kW (CEE socket 32 A / 400 VAC)
Option	80 kW (CEE socket 125 A / 400 VAC)
Mains voltage	400 VAC (3 phase + N + PE)



Noise measurement data and vibration

Noise emission	according to 2000/14/EC directive	
Emission sound pressure level L_{pA}	n.a. dB(A)	(in the cabin)
Guaranteed sound power level L_{WA}	n.a. dB(A)	(of the machine)
Vibration transmitted to the machine operator	< 2.5 m/s ²	(to the hand-arm system)
	< 0.5 m/s ²	(to the whole body)



Hydraulic system

Hydraulic pumps	double axial displacement pump in open loop hydraulic system allows all functions to be operated simultaneously automatic working pressure cut-off to minimize peak pressure
Hydraulic oil tank capacity	650 l
Max. working pressure	350 bar
Hydraulic oil	electronic monitoring of all filters use of synthetic environmentally friendly oil possible



Control

Control system	includes all control and monitoring functions, designed to withstand extreme environmental conditions and heavy construction tasks
Display	high resolution monitor in the operator's cabin, clear display of complete machine operating data, warnings and failure indications in the required language
Operation	several movements can be performed simultaneously thanks to electro-hydraulic proportional control, all categories of loads can be positioned with utmost precision



Crawlers

Drive system	with fixed axial piston hydraulic motors
Crawler side frames	maintenance-free, with hydraulic chain tensioning device
Brake	hydraulically released, spring-loaded multi-disc holding brake
Drive speed	0-1.3 km/h
Flat track pads	width 1000 mm



Swing gear

Drive system	with fixed axial piston hydraulic motors, planetary gearbox, pinion
Swing ring	roller bearing with external teeth
Brake	hydraulically released, spring-loaded multi-disc holding brake
Swing speed	0-1.8 rpm continuously variable
Speed control	both swing modes are possible - speed control or free swing for speed control: a multi-disc holding brake locks automatically at zero swing motion.



Hoisting gear

Standard crane winches 1 + 2	Internal low-maintenance planetary gearbox in oil bath, load support by the hydraulic system, spring-loaded, multi-disc holding brake, pressure controlled, variable flow hydraulic motors for the main winches, full utilisation of engine power as the winch speed is automatically adjusted to suit the respective line pull
Line pull in the 7th layer	120 kN
Rope diameter	26 mm
Drum diameter	580 mm
Rope speed	0-136 m/min
Rope capacity in 7 layers	489 m
Option - winch with free fall	free fall: clutch and braking functions are provided by the service brake (low wear and maintenance-free multi-disc brake in compact design)



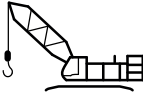



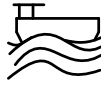
Boom/jib luffing winches

Main boom	
Line pull	max. 180 kN
Rope diameter	24 mm
Boom luffing	15-86° in 119 s
Jib	
Line pull	max. 105 kN
Rope diameter	20 mm
Boom luffing	15-78° in 46 s

Operating weight

Composition of operating weight	basic machine with crawlers winches 1+2, A-frame 17 m main boom, consisting of boom foot (7 m), boom head (6 m) and boom section (6 m) 62.3 t rear counterweight (10 × 5 t + 1 × 12 t + 0.3 t) 20 t carbody counterweight (2 × 10 t) 160 t pulley block
Total weight	approx. 168 t

Operation modes

	 Lifting mode	 Grab mode	 Personnel lifting mode
 Land	✓	✓	✓
 Floating structure (barge operation)	✓	✓	✓*

* only valid for jack-up barges

Optional equipment

Basic machine

Main winches 12 t with free fall
Painting in customer design
Load hook 12.5 / 40 / 80 / 100 / 160 t
Charging power 80 kW (125 A / 400 VAC)
Additional battery package (33 kWh)

Boom/jib

Luffing jib: luffing winch

Boom/jib other

Walkway for main boom foot, incl. fall protection
Walkway for main boom head, incl. fall protection
Rope guide for main boom walkway, incl. fall protection
Additional fall protection harness for 1 person
Walkways for main boom sections 3 / 6 / 12 m
Walkways for main boom sections 3 / 6 / 12 m, incl. fall protection

Application packages

Operation mode: personnel lifting (O)
Operation mode: barge operation (O)
Operation mode: foundation work (O)
Operation mode: wind speed pre-selection (S)
Operation mode: travelling with load (S)

Winch synchronization

Radio remote control
Rope reeving function via radio remote control
Assembly radio remote control
Use of luffing jib winch as auxiliary winch
Tagline winch 2 t free fall
Main winch constant tension for one winch
Two hook operation

Special features

Crane Planner 2.0
LiDAT

Self-assembly system

Jack-up system standard / telescopic
Self-assembly system counterweight
Self-assembly cylinder
Reeving winch
Track shifting hydraulic

Service package

Cold package -25 °C
Hydraulic oil bypass filter
Central lubrication swing ring bearings / outside
Liebherr hydraulic oil plus (longlife & bio)
Liebherr hydraulic oil plus arctic (longlife & bio)
Liebherr hydraulic oil plus arctic (longlife)

Safety features

Assistance system: Boom Up-and-Down Assistant
Assistance system: Horizontal Load Path
Assistance system: Vertical Line Finder
Assistance system: Ground Pressure Indication and Visualization
Rear and side view cameras

Winch camera

Zoom camera at boom head
Safety upgrade APAVE
Platforms and railings on uppercarriage 570 mm
Additional access ladder for boom assembly
Railings on rooftop foldable
Railings for cabin platform
Vandalism cabin protection
Cabin protection roof, FOPS level 1
Lifting height indication for both hoist winches
Plug&Play diesel-hydraulic back-up unit 18.4 kW
Swing and boom radius limit device

Aircraft warning light

Swing warning light
Lightning rod
Mechanical angle display
Access control

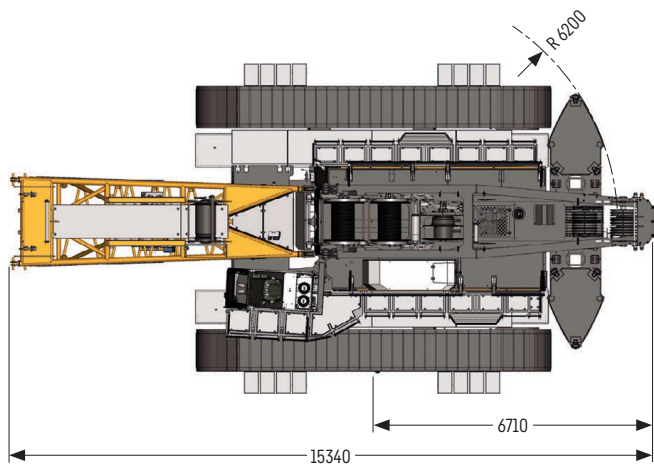
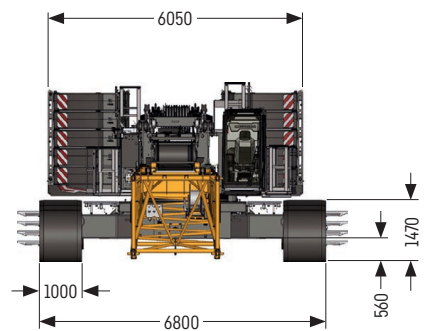
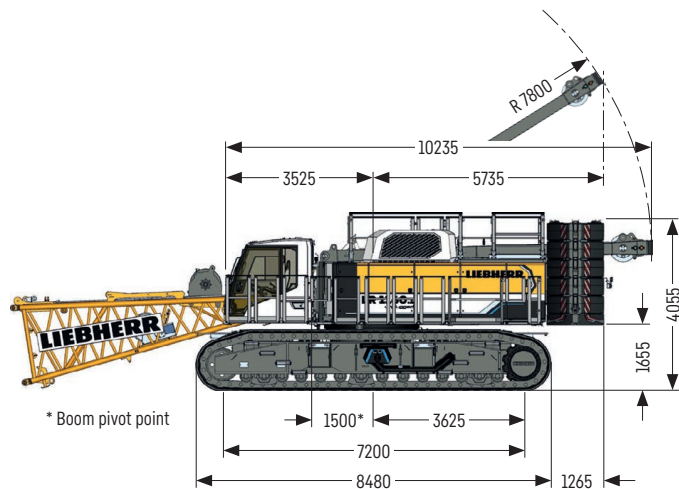
Operator's comfort

Additional access ladder
Additional floodlights
Cabin air conditioner
Cabin tilting device hydraulic
Gear oil level warning
Litronic additional language

(S) standard, (O) option

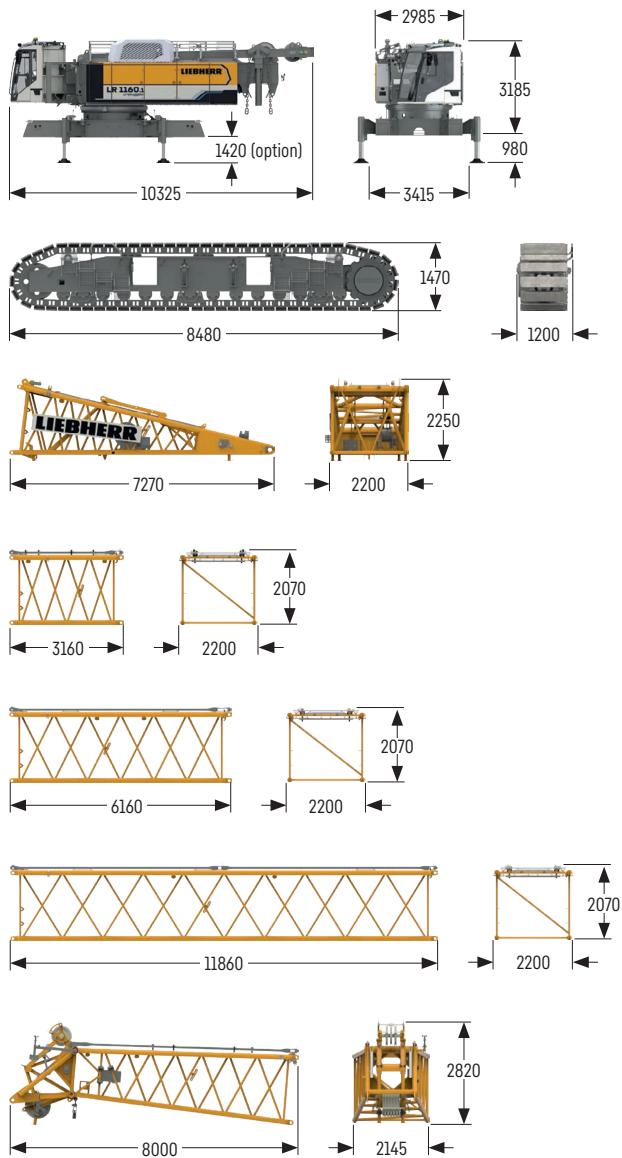
Dimensions

Basic machine with undercarriage



Transport dimensions and weights

Basic machine and main boom 2018.xx



Basic machine

Weight without hoist rope	kg	37500
Weight of hoist ropes	kg/m	3.4
with A-frame 1, winches 1 + 2 (2x 120 kN), without boom foot, without rear counterweight, without carbody counterweight and crawler side frames		

Crawler

Weight flat track pads 1000 mm	kg	17498
--------------------------------	----	-------

Boom foot 7 m (No. 2018.23)

Weight including winch	kg	4067
Weight without winch	kg	2685

Boom section 3 m (No. 2018.20)

Weight including boom pendants	kg	707
Weight including boom and jib pendants	kg	771

Boom section 6 m (No. 2018.20)

Weight including boom pendants	kg	1011
Weight including boom and jib pendants	kg	1121

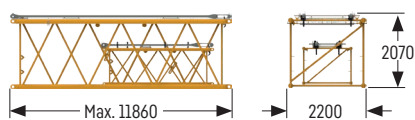
Boom section 11.7 m (No. 2018.20)

Weight including boom pendants	kg	1691
Weight including boom and jib pendants	kg	1905

Boom head 7 m (No. 2018.20)

Weight including boom pendants	kg	2404
--------------------------------	----	------

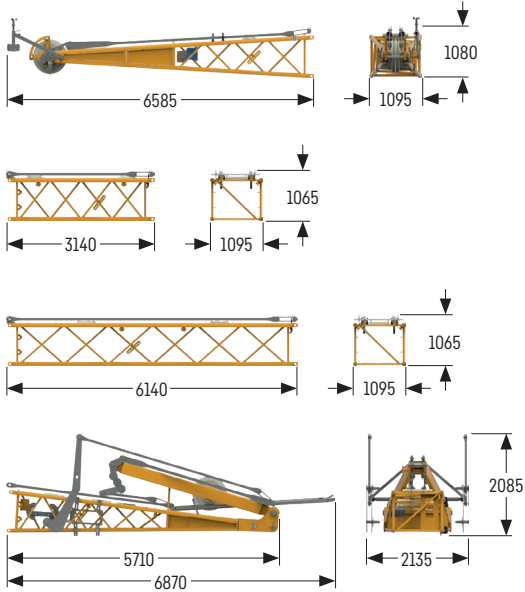
Transport option 2018.xx / 1309.xx



Transport option (No. 2018.xx/1309.xx)

No. 2018.xx/1309.xx	m	6 / 6	11.7 / 11.7
Weight including pendants	kg	1620	2860

Fixed jib 1008.xx



Jib head 5.5 m (No. 1008.20)

Weight including pendants	kg 873
---------------------------	--------

Jib section 3 m (No. 1008.17)

Weight including pendants	kg 267
---------------------------	--------

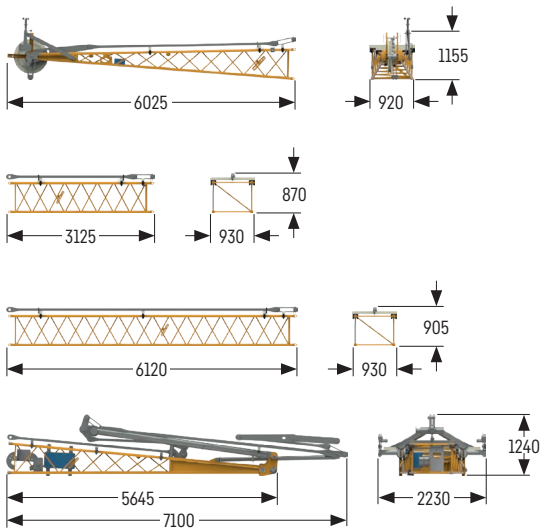
Jib section 6 m (No. 1008.17)

Weight including pendants	kg 448
---------------------------	--------

Jib foot 5.5 m with A-frame (No. 1008.20)

Weight including pendants	kg 2058
---------------------------	---------

Fixed jib 0806.xx



Jib head 5.5 m (No. 0806.16)

Weight including pendants	kg 442
---------------------------	--------

Jib section 3 m (No. 0806.15)

Weight including pendants	kg 141
---------------------------	--------

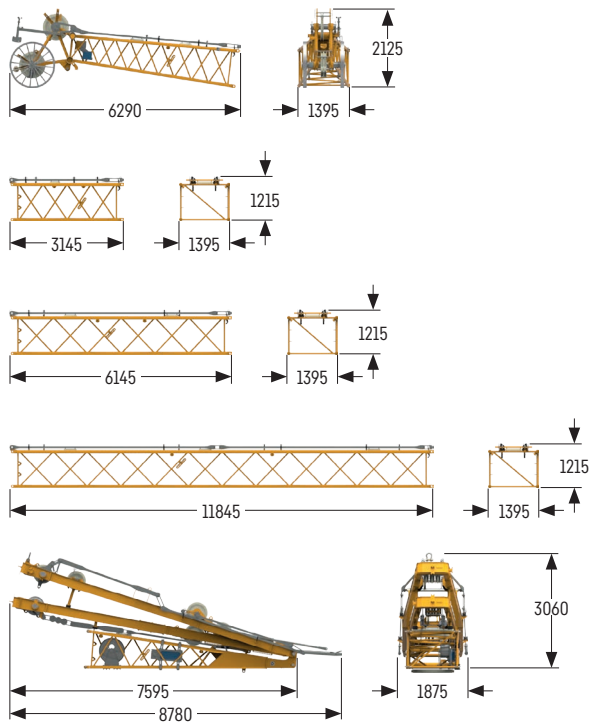
Jib section 6 m (No. 0806.15)

Weight including pendants	kg 249
---------------------------	--------

Jib foot 5.5 m with A-frame (No. 0806.16)

Weight including pendants	kg 1077
---------------------------	---------

Luffing jib 1309.xx



Jib head 5.5 m (No. 1309.22)

Weight including pendants	kg 1127
---------------------------	---------

Jib section 3 m (No. 1309.20)

Weight including pendants	kg 307
---------------------------	--------

Jib section 6 m (No. 1309.20)

Weight including pendants	kg 511
---------------------------	--------

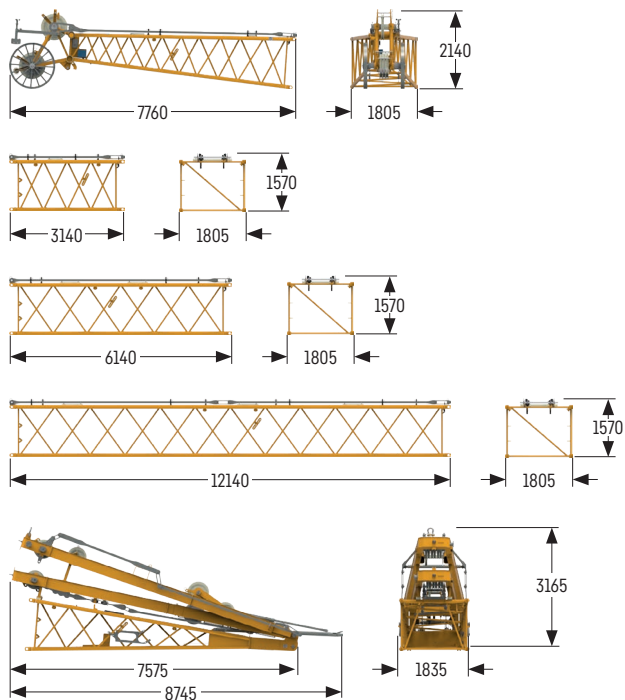
Jib section 11.7 m (No. 1309.20)

Weight including pendants	kg 941
---------------------------	--------

Jib foot 5.5 m with A-frames 2 + 3 (No. 1309.22)

Weight including pendants	kg 4493
---------------------------	---------

Luffing jib 1713.xx



Jib head 7 m (No. 1713.21)

Weight including pendants	kg 1376
---------------------------	---------

Jib section 3 m (No. 1713.18)

Weight including pendants	kg 394
---------------------------	--------

Jib section 6 m (No. 1713.18)

Weight including pendants	kg 624
---------------------------	--------

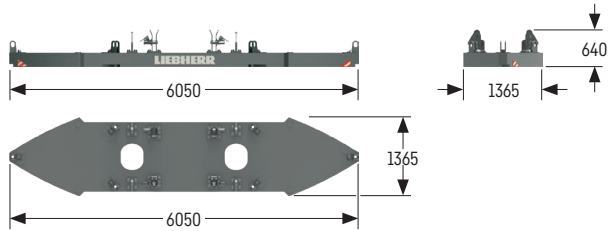
Jib section 12 m (No. 1713.18)

Weight including pendants	kg 1122
---------------------------	---------

Jib foot 7 m with A-frames 2 + 3 (No. 1713.22)

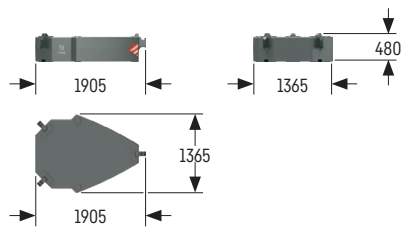
Weight including pendants	kg 4747
---------------------------	---------

Counterweight



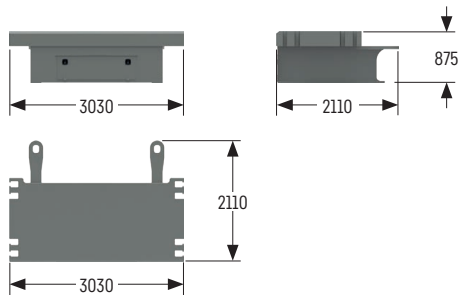
Basic counterweight slab without tie-down (1x)

Weight	kg 12000
--------	----------



Counterweight slab (8x)

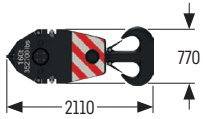
Weight	kg 5000
--------	---------



Carbody counterweight (2x)

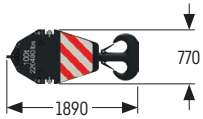
Weight	kg 10000
--------	----------

Pulley block with additional weights / load hooks



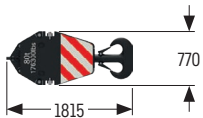
160 t pulley block - 7 pulleys

Width	mm	885
Weight	kg	1500 / 2250 / 3000



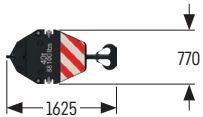
100 t pulley block - 5 pulleys

Width	mm	745
Weight	kg	1300 / 1800 / 2300



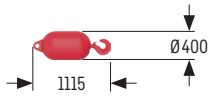
80 t pulley block - 3 pulleys

Width	mm	565
Weight	kg	1000 / 1500 / 2000



40 t pulley block - 1 pulley

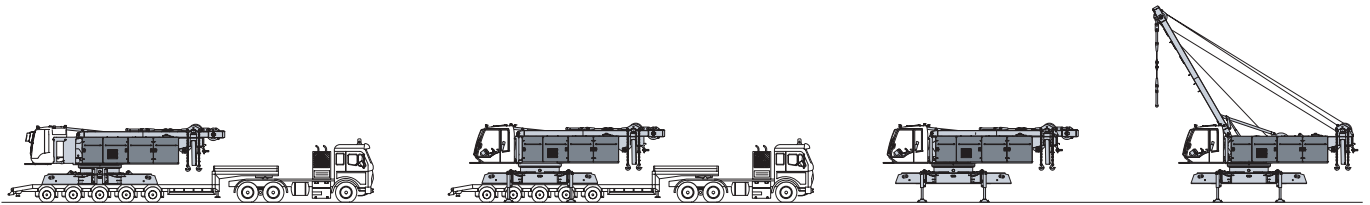
Width	mm	490
Weight	kg	700 / 1100 / 1500



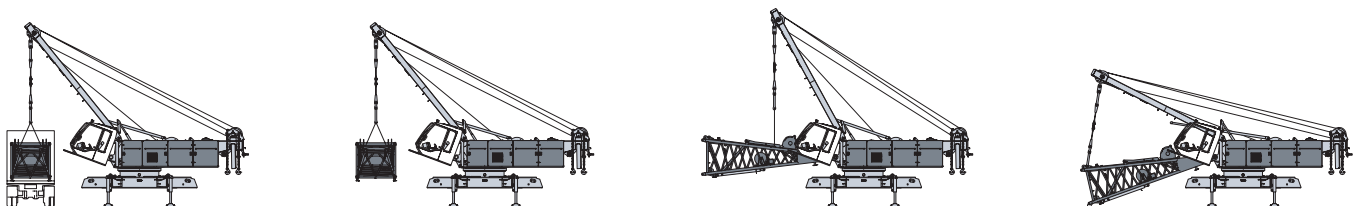
12.5 t load hook

Weight	kg	600
--------	----	-----

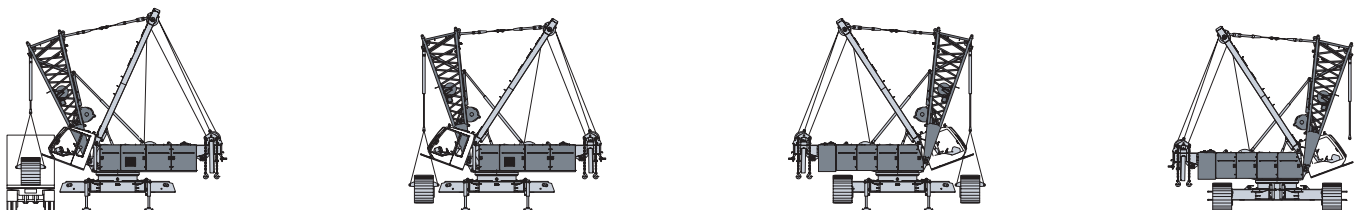
Self-assembly system



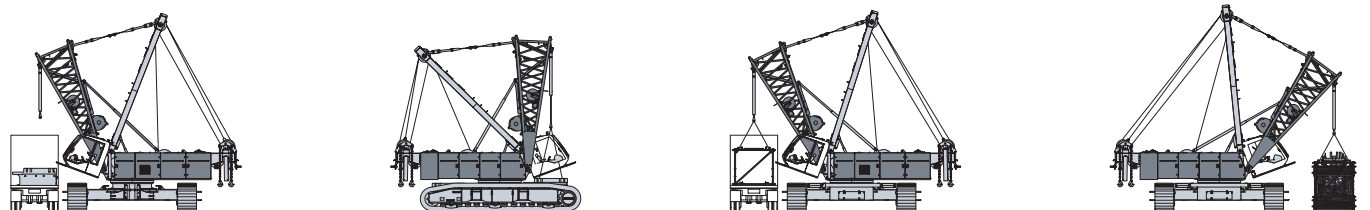
Unloading of basic machine



Unloading and assembly of boom foot

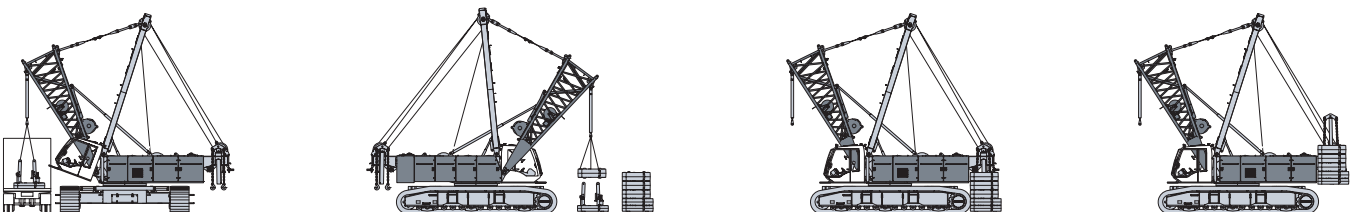


Unloading and assembly of crawler side frames

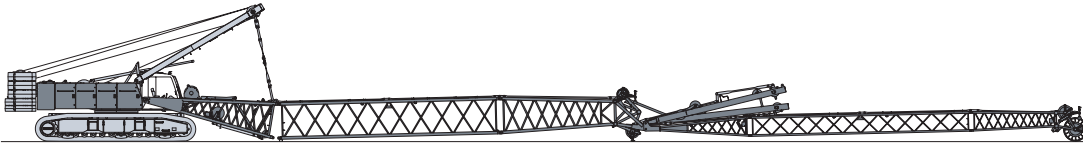


Unloading and assembly of carbody counterweight

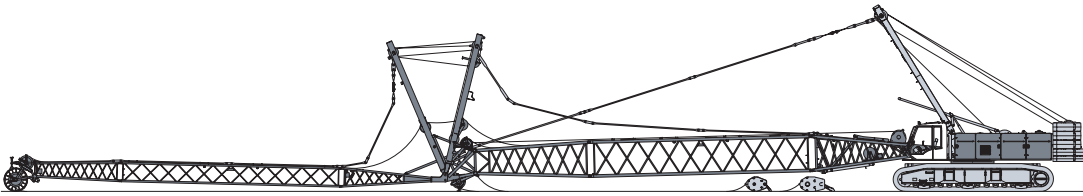
Unloading and assembly of boom



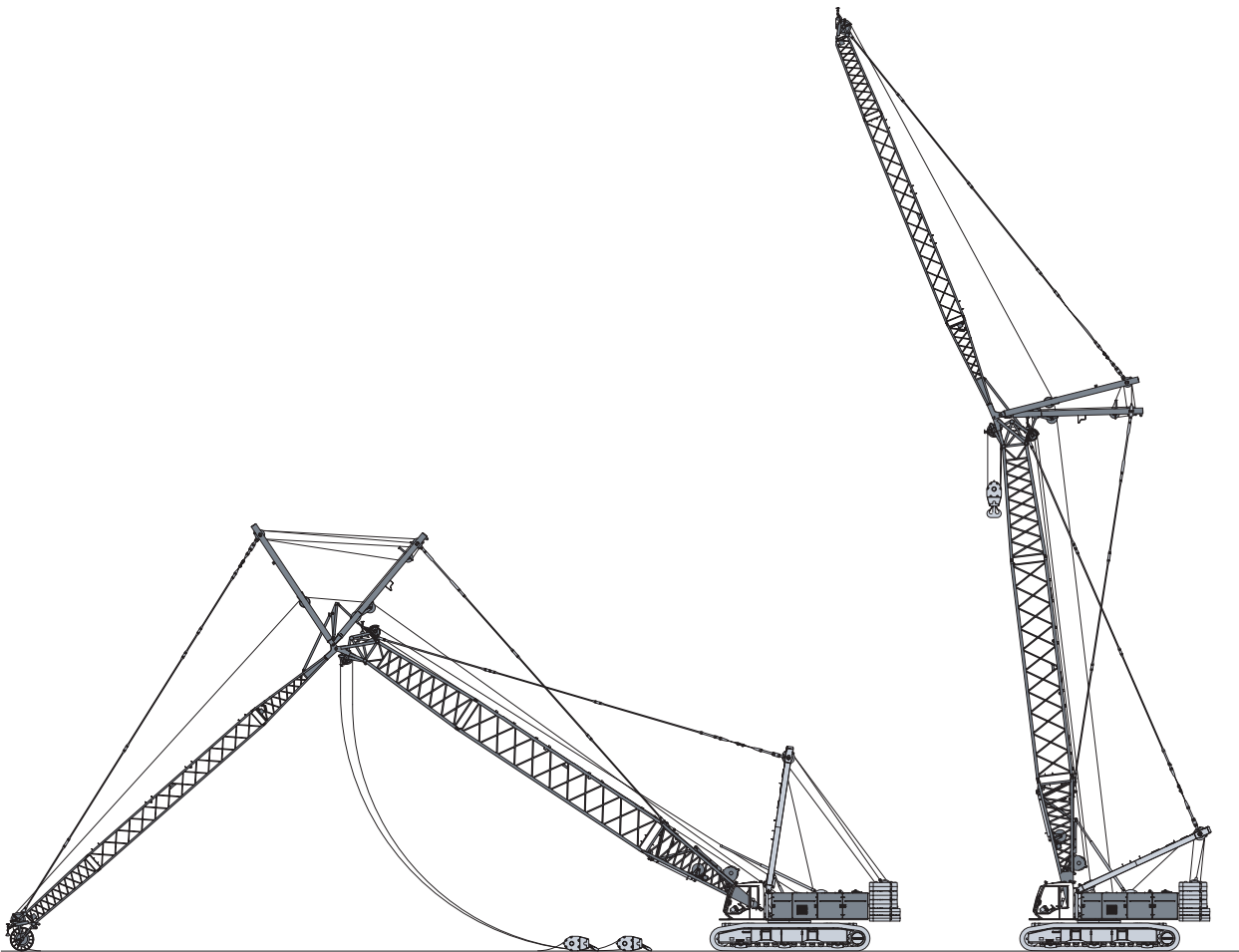
Unloading and assembly of rear counterweight



Assembly of boom

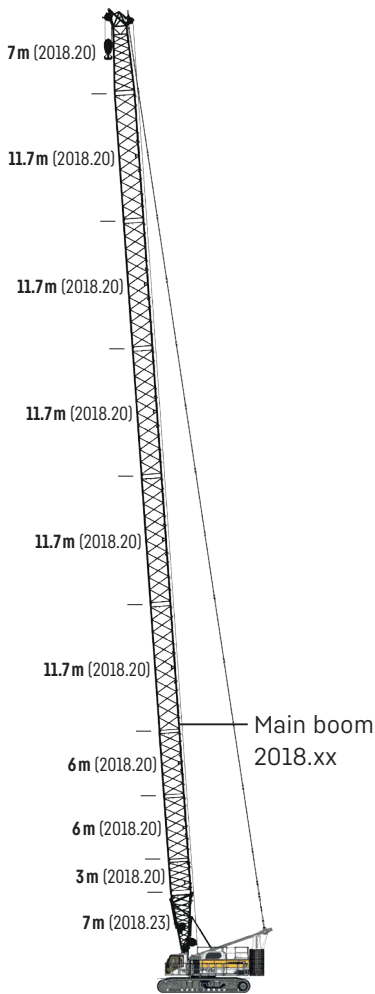


Reeving of hoist and luffing jib ropes



Erecting of main boom and luffing jib

Boom combinations



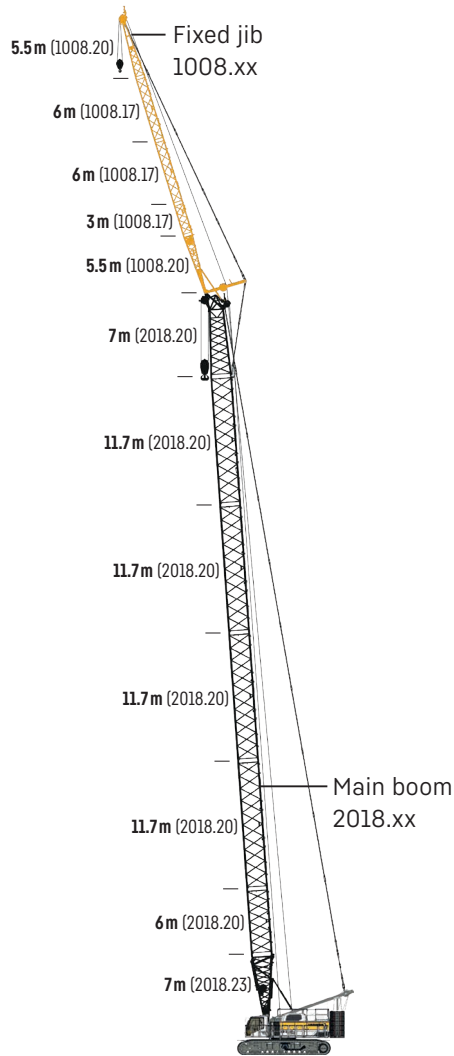
Main boom

Mode 1

Max. length

2018.xx m 87.5

Further information on page 20.



Main boom + fixed jib

Mode 3

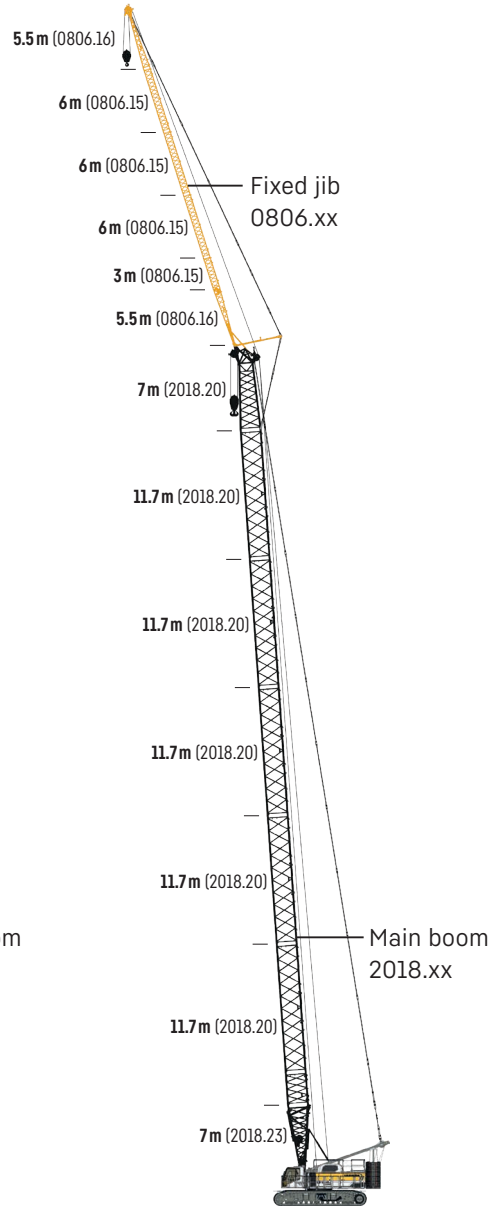
Max. combination

2018.xx m 66.8 69.8

1008.xx m 26 20

Total length m 92.8 89.8

Further information on page 34.



Main boom + fixed jib

Mode 3

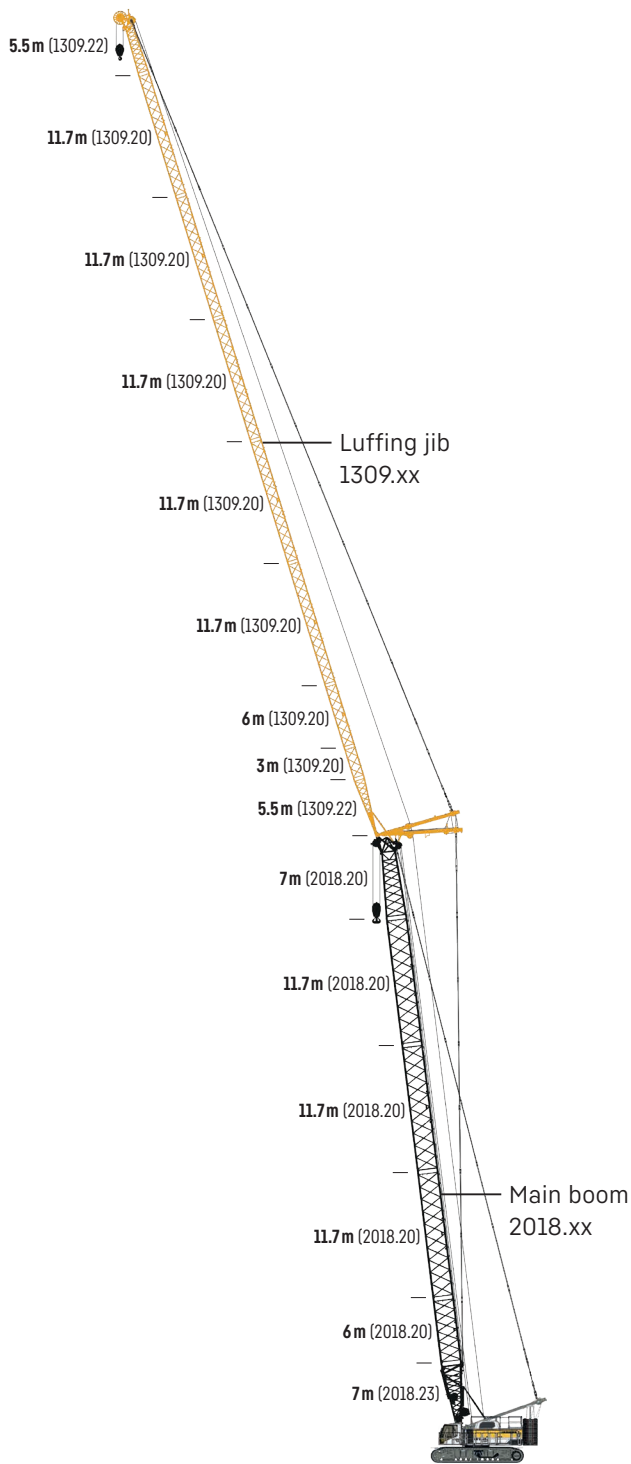
Max. combination

2018.xx m 75.5 78.5

0806.xx m 32 26

Total length m 107.5 104.5

Further information on page 37.



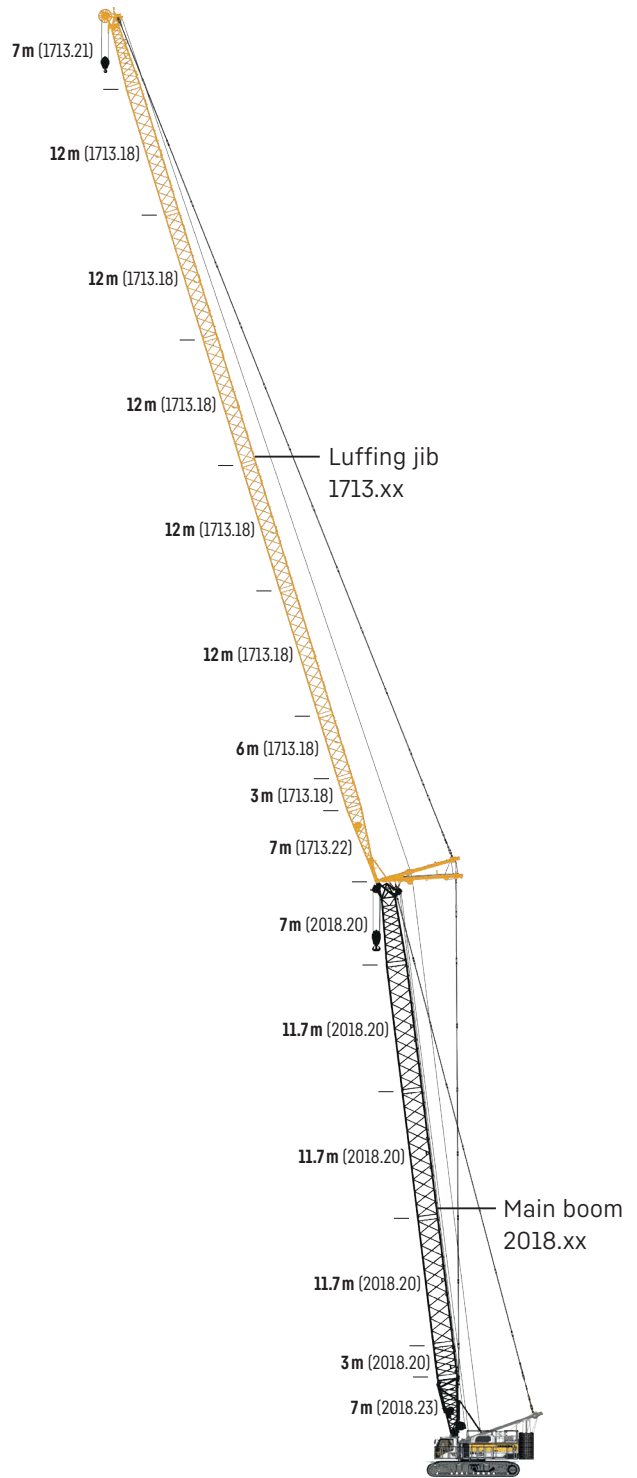
Main boom + luffing jib

Mode 4

Max. combination

2018.xx	m	55.1	58.1
1309.xx	m	78.5	66.8
Total length	m	133.6	124.9

Further information on page 22.



Main boom + luffing jib

Mode 4

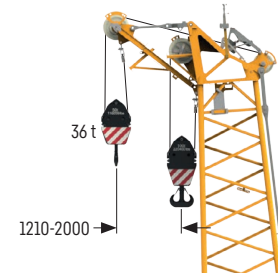
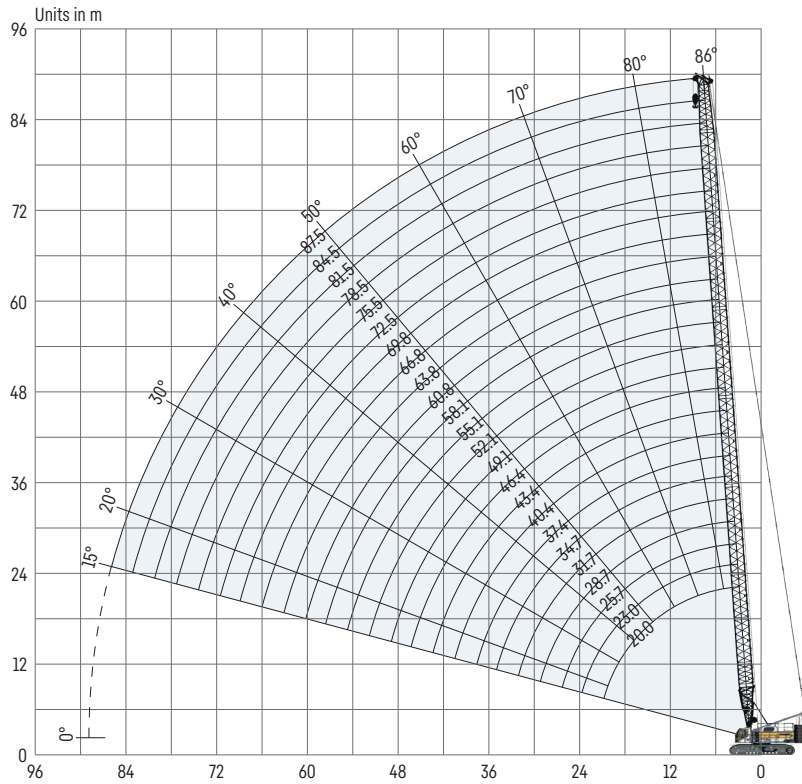
Max. combination

2018.xx	m	52.1	55.1
1713.xx	m	83	68
Total length	m	135.1	123.1

Further information on page 28.

Main boom 2018.xx

Boom lengths 20-87.5 m



Auxiliary jib 36 t (option)

The maximum capacity of the auxiliary jib is 36 t. The corresponding load chart is programmed in the LML system.

Main boom configuration 2018.xx

Boom section	Amount of boom sections											
	1	1	1	1	1	1	1	1	1	1	1	1
Boom foot 7 m	1	1	1	1	1	1	1	1	1	1	1	1
Boom section 3 m		1		1		1		1		1		1
Boom section 6 m	1	1			1	1		1	1	1		1
Boom section 11.7 m			1	1	1	1	2	2	2	2	3	3
Boom head 7 m	1	1	1	1	1	1	1	1	1	1	1	1
Boom length [m]	20	23	25.7	28.7	31.7	34.7	37.4	40.4	43.4	46.4	49.1	52.1
Auxiliary jib	✓	✓	✓	✓	✓	✓	✓	✓	✓	✓	✓	✓
Boom foot 7 m	1	1	1	1	1	1	1	1	1	1	1	1
Boom section 3 m		1		1		1		1		1		1
Boom section 6 m	1	1			1	1		1	1	1	2	2
Boom section 11.7 m	3	3	4	4	4	4	5	5	5	5	5	5
Boom head 7 m	1	1	1	1	1	1	1	1	1	1	1	1
Boom length [m]	55.1	58.1	60.8	63.8	66.8	69.8	72.5	75.5	78.5	81.5	84.5	87.5
Auxiliary jib	✓	✓	✓	✓	✓	✓	✓	✓	✓	✓	✓	✓

Load capacities with main boom

Load capacities in [t]

	Boom length [m]											
	17	23	28.7	34.7	40.4	46.4	52.1	60.8	69.8	75.5	81.5	87.5
3.7	137.0											
5	137.0	137.0	136.3	126.4								
6	134.5	132.2	131.2	122.9	104.8	86.4						
7	130.7	123.3	115.1	110.7	98.9	82.7	69.5	52.9				
8	116.0	107.6	101.7	95.6	89.4	78.9	66.4	51.7	37.9	31.6		
9	99.3	93.9	88.9	84.0	79.7	72.1	63.7	49.5	36.8	31.3	26.1	21.9
10	84.6	82.8	78.8	74.8	71.4	66.5	59.9	47.8	35.7	30.4	25.3	21.7
12	65.0	65.1	64.1	61.2	58.7	56.2	54.0	43.1	33.4	28.9	24.1	20.5
14	52.4	52.5	52.5	51.6	49.7	47.7	46.0	39.8	31.2	27.3	22.7	19.4
16	43.7	43.9	43.9	43.7	42.9	41.3	39.9	35.7	29.4	26.1	21.4	18.1
18	37.2	37.5	37.5	37.3	37.1	36.3	35.1	32.4	27.0	24.7	20.5	17.1
20	42.5	32.6	32.6	32.4	32.2	32.0	31.2	29.6	25.0	23.3	19.3	16.2
22	35.8	28.7	28.7	28.5	28.4	28.1	27.9	26.6	23.4	22.1	18.3	15.3
24		12.1	25.6	25.4	25.2	25.0	24.7	24.0	21.9	21.1	17.4	14.5
27			21.8	21.7	21.5	21.2	21.0	20.6	19.6	18.9	16.3	13.6
30				18.7	18.6	18.3	18.1	17.7	17.2	16.5	14.9	12.7
34				15.7	15.6	15.3	15.1	14.7	14.2	13.9	13.2	11.6
38					13.2	13.0	12.7	12.3	11.9	11.6	11.1	10.4
39					12.7	12.5	12.2	11.9	11.4	11.1	10.7	10.0
40					12.2	12.0	11.8	11.4	10.9	10.6	10.2	9.60
42						11.1	10.9	10.5	10.0	9.8	9.4	8.8
44						10.3	10.1	9.7	9.2	9.0	8.6	8.1
46						9.60	9.4	9.0	8.5	8.2	7.9	7.4
48							8.7	8.4	7.9	7.6	7.2	6.8
50							8.1	7.7	7.2	7.0	6.6	6.3
53								6.9	6.4	6.1	5.8	5.5
54								6.7	6.2	5.9	5.6	5.2
57								6.0	5.5	5.2	4.9	4.5
60								5.3	4.8	4.6	4.2	3.9
62									4.5	4.2	3.8	3.5
64									4.1	3.8	3.5	3.1
66									3.7	3.5	3.1	2.8
68									3.4	3.2	2.8	2.5
70										2.9	2.5	2.2
72										2.6	2.2	
73										2.4	2.1	
74										2.3		
75										2.1		

Carbody counterweight: 20 t

Rear counterweight:

52.3 t 62.3 t



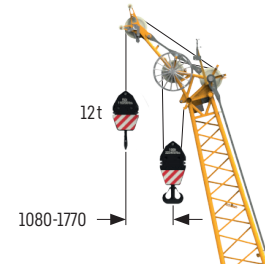
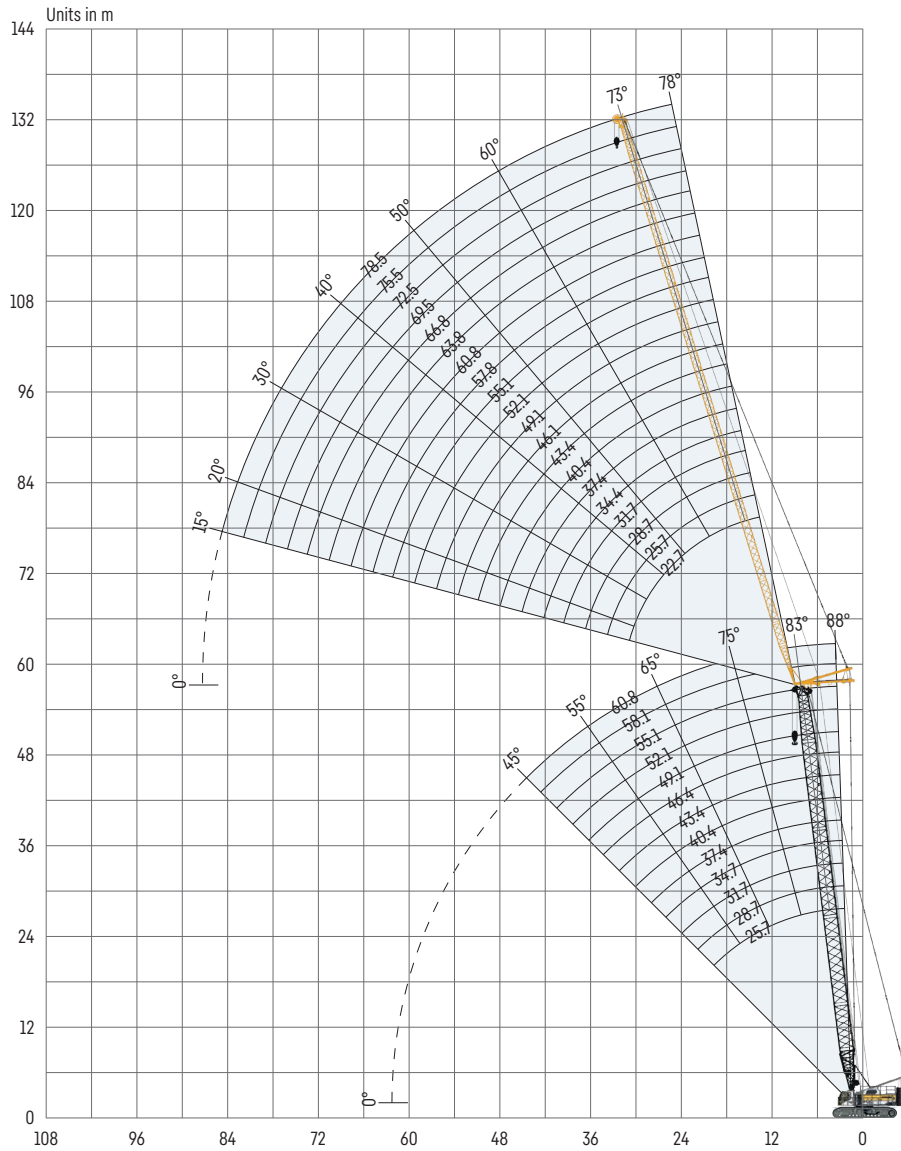
TLT 13618472 / V0. Above load charts are for reference only. For actual lift duty please refer to load chart in operator's cabin or manual. Otherwise we recommend you to plan your lifting job using Crane Planner 2.0.

www.liebherr.com/CranePlanner



Luffing jib 1309.xx

Jib lengths 22.7-78.5 m



Auxiliary jib 12 t (option)
The maximum capacity of the auxiliary jib is 12 t.

Jib configuration 1309.xx

Jib section	Amount of jib sections																			
	1	1	1	1	1	1	1	1	1	1	1	1	1	1	1	1	1	1	1	1
Jib foot 5.5m	1	1	1	1	1	1	1	1	1	1	1	1	1	1	1	1	1	1	1	1
Jib section 3m		1		1		1		1		1		1		1		1		1		1
Jib section 6m			1	1			1	1			1	1			1	1			1	1
Jib section 11.7m	1	1	1	1	2	2	2	2	3	3	3	3	4	4	4	4	5	5	5	5
Jib head 5.5m	1	1	1	1	1	1	1	1	1	1	1	1	1	1	1	1	1	1	1	1
Jib length [m]	22.7	25.7	28.7	31.7	34.4	37.4	40.4	43.4	46.1	49.1	52.1	55.1	57.8	60.8	63.8	66.8	69.5	72.5	75.5	78.5
Auxiliary jib	✓	✓	✓	✓	✓	✓	✓	✓	✓	✓	✓	✓	✓	✓	✓	✓	✓	✓	✓	✓

For main boom configuration please refer to the table on page 20.

Load capacities with luffing jib

Load capacities in [t] with 20 m main boom [88/83/75/65°]

Radius [m]	Jib length 22.7 m				Jib length 28.7 m				Jib length 34.4 m			
	88°	83°	75°	65°	88°	83°	75°	65°	88°	83°	75°	65°
8.4	42.7											
10	41.7				32.9							
13	33.2	38.4			28.3				23.1			
15	27.9	34.4			25.1	27.9			21.1			
18	21.4	27.3			20.9	24.1			18.0	19.8		
19	19.7	25.1	29.8		19.2	23.3			17.1	18.9		
20	18.1	23.1	28.4		17.7	21.8			16.4	17.8		
21	16.7	21.1	26.8		16.4	20.4	23.6		15.4	16.9		
22	15.5	19.3	25.5		15.4	19.2	22.4		14.5	16.2		
23	14.6	17.7	24.3		14.5	18.3	21.6		13.7	15.4		
24	13.8	16.6	22.9		13.6	17.3	20.7		13.0	14.6	16.7	
25	12.9	15.7	21.7	22.3	12.8	16.2	19.9		12.4	14.0	16.0	
27		12.1	19.4	20.7	11.5	14.4	18.4		11.3	12.9	14.8	
29			16.9	19.0	10.6	13.0	16.7	18.5	10.3	11.9	13.5	
31				17.9	9.0	11.8	15.2	17.3	9.5	11.0	12.6	
33				16.7		10.1	14.1	15.9	8.8	10.3	11.6	13.5
35							13.0	14.9	8.0	9.5	10.8	12.5
36								14.4	7.7	9.1	10.5	12.0
38								13.4		8.3	9.7	11.1
39								11.9			9.4	10.8
41											8.6	10.1
44												9.0
Radius [m]	Jib length 40.4 m				Jib length 46.1 m				Jib length 55.1 m			
	88°	83°	75°	65°	88°	83°	75°	65°	88°	83°	75°	65°
13	15.6											
16	14.1				11.9				8.5			
18	13.5	13.9			11.3				8.1			
20	12.7	13.1			10.8	11.1			7.7			
21	12.4	12.8			10.5	10.8			7.5			
22	12.1	12.4			10.3	10.5	12.4		7.4	7.5		
23	11.8	12.1			10.0	10.3			7.2	7.4		
26	10.0	11.5	11.9		9.4	9.8			6.9	7.0		
28	9.0	11.1	11.6		8.5	9.5	9.7		6.7	6.8		
31	7.9	10.5	11.1		7.5	9.1	9.4		6.4	6.6		
34	7.0	9.1	10.8		6.7	8.8	9.1		5.9	6.4	6.5	
36	6.5	8.3	10.1	10.8	6.2	8.1	8.9		5.7	6.2	6.4	
42	5.6	6.8	8.5	9.3	5.0	6.4	7.7	8.5	4.7	5.6	6.0	
44		6.3	7.9	8.8	4.7	5.9	7.3	8.2	4.4	5.4	5.8	6.0
47			6.9	8.1	4.2	5.3	6.8	7.4	3.9	5.0	5.5	5.8
49				7.6		4.8	6.4	7.10	3.7	4.8	5.3	5.6
52							5.8	6.5	3.3	4.4	5.1	5.4
54								6.1	3.1	4.1	4.9	5.2
56									2.9	3.7	4.7	5.1
58										3.3	4.5	4.9
61											3.7	4.6
64												4.2

Carbody counterweight: 20 t

Rear counterweight:

62.3 t



TLT 13618472 / V0. Above load charts are for reference only. For actual lift duty please refer to load chart in operator's cabin or manual. Otherwise we recommend you to plan your lifting job using Crane Planner 2.0.

www.liebherr.com/CranePlanner
Crane Planner 2.0

Load capacities with luffing jib

Load capacities in [t] with 31.7 m main boom [88/83/75/65°]

Radius [m]	Jib length 22.7 m				Jib length 31.7 m				Jib length 43.4 m			
	88°	83°	75°	65°	88°	83°	75°	65°	88°	83°	75°	65°
8.8	44.4											
11	41.1				28.9							
14	31.8	40.7			26.8				17.1			
18	22.7	32.4			21.0	25.6			15.6			
20	19.5	26.5			18.3	24.1			14.7	15.5		
22	16.9	22.5	28.3		15.8	22.8			13.4	14.9		
24	15.1	19.4	25.9		13.9	19.5			12.4	14.2		
26		17.2	23.5		12.7	16.9	22.7		11.6	13.7		
27		16.4	22.5		12.2	16.1	21.9		11.1	13.4		
28		15.5	21.5		11.7	15.3	21.1		10.6	13.1		
29			20.6		11.3	14.7	20.2		10.2	12.8		
30			19.7	18.3	10.9	14.0	19.4		9.8	12.5	13.8	
32			18.2	16.9	10.2	12.9	17.9		9.2	12.0	13.5	
33			12.1	16.3	9.9	12.5	17.3		8.9	11.8	13.2	
34				15.7	9.5	12.1	16.6		8.6	11.6	13.0	
36				14.6		11.1	15.4	14.2	8.0	10.8	12.5	
38				13.6			14.4	13.3	7.5	10.0	12.1	
41							12.7	12.1	6.9	9.0	11.4	
42								11.7	6.7	8.7	11.0	11.3
48										7.0	9.3	9.4
49											9.0	9.2
58												7.3
Radius [m]	Jib length 55.1 m				Jib length 66.8 m				Jib length 78.5 m			
	88°	83°	75°	65°	88°	83°	75°	65°	88°	83°	75°	65°
16	10.3											
18	9.9				6.5							
21	9.3				6.2				3.6			
23	8.9	9.1			6.0				3.5			
24	8.7	9.0			5.9				3.4			
27	8.3	8.6			5.6	5.7			3.2			
30	8.1	8.3			5.4	5.5			3.0	3.1		
35	7.0	7.8	8.2		5.1	5.2			2.7	2.9		
39	6.3	7.4	7.9		4.7	5.0			2.6	2.7		
43	5.6	7.0	7.5		4.4	4.8	5.0		2.4	2.5		
47	5.0	6.4	7.2		4.2	4.6	4.8		2.3	2.4	2.5	
53	4.2	5.7	6.6	7.0	3.4	4.3	4.5		2.1	2.2	2.3	
55	3.9	5.3	6.5	6.9	3.1	4.1	4.4	4.5	2.0	2.1	2.2	
57	3.7	4.9	6.3	6.7	2.9	4.0	4.4	4.4		2.1	2.2	
60		4.4	5.9	6.4	2.7	3.9	4.2	4.3		2.0	2.1	
62			5.6	6.2	2.5	3.8	4.2	4.3			2.0	2.1
64			5.3	5.9	2.3	3.5	4.1	4.2			2.0	2.1
65				5.7	2.2	3.4	4.1	4.2				2.0
68				5.3		3.0	3.9	4.1				
69				5.2		2.8	3.8	4.1				
71						2.6	3.7	4.0				
73							3.5	3.9				

Carbody counterweight: 20 t

Rear counterweight:

62.3 t



TLT 13618472 / V0. Above load charts are for reference only. For actual lift duty please refer to load chart in operator's cabin or manual. Otherwise we recommend you to plan your lifting job using Crane Planner 2.0.

www.liebherr.com/CranePlanner

Crane Planner 2.0

Load capacities with luffing jib

Load capacities in [t] with 40.4 m main boom [88/83/75/65°]

Radius [m]	Jib length 22.7 m				Jib length 31.7 m				Jib length 43.4 m			
	88°	83°	75°	65°	88°	83°	75°	65°	88°	83°	75°	65°
9.1	37.3											
11	35.2				25.8							
14	27.4				23.8				15.7			
16	23.6	31.8			21.8				15.1			
18	20.3	28.4			18.8	23.2			14.4			
21	16.6	22.7			15.5	20.9			13.0	14.1		
26	12.1	16.5	22.2		11.8	16.0			10.4	12.9		
28		15.1	20.6		11.0	14.4	19.3		9.60	12.5		
30			19.0		10.3	13.3	18.1		8.9	11.9		
32			17.6		9.7	12.3	16.8		8.3	11.1	12.8	
33			16.9	15.1	9.3	11.9	16.3		8.1	10.8	12.8	
34			16.3	14.6	9.0	11.5	15.9		7.8	10.4	12.6	
36				13.6		10.7	14.9		7.4	9.9	12.2	
38				12.7		9.9	13.9		7.0	9.2	11.9	
42				11.2			12.3	10.8	6.3	8.1	11.2	
44							11.5	10.2	5.9	7.7	10.6	
45								9.9	5.7	7.4	10.3	9.4
46								9.60	5.6	7.2	10.0	9.1
49								8.9		6.5	9.4	8.4
50								8.6			9.1	8.1
55											7.8	7.10
62												6.0
Radius [m]	Jib length 55.1 m				Jib length 66.8 m				Jib length 78.5 m			
	88°	83°	75°	65°	88°	83°	75°	65°	88°	83°	75°	65°
16	9.60											
19	9.2				6.1							
21	8.8				5.9				3.5			
25	8.2	8.5			5.5				3.2			
28	7.8	8.2			5.3	5.5			3.0			
31	7.5	7.9			5.1	5.3			2.9	3.0		
37	6.1	7.4	7.7		4.7	4.9			2.6	2.8		
42	5.2	6.9	7.5		4.1	4.7	4.8		2.4	2.5		
46	4.7	6.3	7.2		3.8	4.5	4.7		2.3	2.4		
47	4.5	6.1	7.10		3.7	4.4	4.7		2.3	2.4		
48	4.4	6.0	7.10		3.6	4.4	4.6		2.2	2.3	2.4	
52	4.0	5.4	6.7	6.9	3.1	4.1	4.5		2.1	2.2	2.4	
55	3.6	5.0	6.5	6.6	2.8	3.9	4.3		2.0	2.1	2.3	
57	3.4	4.7	6.3	6.3	2.6	3.7	4.3			2.1	2.2	
59		4.4	6.2	5.9	2.5	3.6	4.2	4.2		2.0	2.1	
61		4.0	5.9	5.6	2.3	3.5	4.1	4.2			2.1	
64			5.5	5.2	2.0	3.2	4.0	4.1				
66			5.2	5.0		3.0	4.0	4.1				
72				4.3		2.3	3.7	3.8				
73				4.2			3.6	3.7				
78							3.3	3.2				
84								2.7				

Carbody counterweight: 20 t

Rear counterweight:

62.3 t



TLT 13618472 / V0. Above load charts are for reference only. For actual lift duty please refer to load chart in operator's cabin or manual. Otherwise we recommend you to plan your lifting job using Crane Planner 2.0.

www.liebherr.com/CranePlanner

Crane Planner 2.0

Load capacities with luffing jib

Load capacities in [t] with 52.1 m main boom [88/83/75/65°]

Radius [m]	Jib length 22.7 m				Jib length 31.7 m				Jib length 43.4 m			
	88°	83°	75°	65°	88°	83°	75°	65°	88°	83°	75°	65°
9.5	28.3											
12	25.3				20.7							
14	21.9				19.3				13.2			
16	19.3	23.5			17.4				12.9			
19	15.9	20.6			14.2	17.5			12.0			
22	13.5	17.6			12.1	15.7			10.6			
23	12.9	16.8			11.6	15.0			10.1	11.7		
27		14.0	16.6		9.8	12.6			8.5	10.8		
30		12.5	15.2		9.0	11.5	13.1		7.6	10.1		
31		11.9	14.9		8.7	11.1	12.9		7.3	9.8		
35			13.7		7.8	9.8	11.9		6.5	8.6	9.60	
38			12.9	11.2		9.0	11.2		6.0	7.9	9.2	
39				10.9		8.7	10.9		5.9	7.6	9.1	
40				10.6			10.7		5.7	7.4	9.0	
44				9.3			9.9	8.8	5.2	6.7	8.3	
46				8.8			9.60	8.3	4.9	6.3	8.1	
47				8.5			9.4	8.1		6.2	7.9	
50								7.5		5.7	7.5	6.7
51								7.3		5.5	7.4	6.5
55								6.5			6.9	5.9
58											6.5	5.5
67												4.4
Radius [m]	Jib length 55.1 m				Jib length 66.8 m				Jib length 78.5 m			
	88°	83°	75°	65°	88°	83°	75°	65°	88°	83°	75°	65°
17	8.5											
19	8.2				5.5							
22	7.8				5.3				3.1			
26	7.2	7.6			4.9				2.9			
29	6.6	7.4			4.8	4.9			2.8			
33	5.9	7.0			4.4	4.8			2.6	2.8		
38	5.0	6.5			4.0	4.5			2.4	2.6		
40	4.7	6.2	6.6		3.7	4.4			2.3	2.5		
41	4.6	6.1	6.6		3.6	4.4			2.3	2.5		
45	4.1	5.7	6.4		3.1	4.1	4.2		2.1	2.3		
46	3.9	5.5	6.4		3.1	4.0	4.2		2.0	2.3		
50	3.6	4.8	6.0		2.7	3.8	4.1			2.1	2.3	
53	3.3	4.4	5.8		2.4	3.6	4.0			2.0	2.2	
57	2.9	4.0	5.4	4.8	2.1	3.2	3.8				2.1	
60		3.7	5.2	4.5		2.9	3.7				2.0	
62		3.4	5.0	4.3		2.7	3.6					
64			4.9	4.1		2.6	3.5	3.3				
68			4.5	3.7		2.2	3.4	2.9				
70				3.5		2.0	3.3	2.8				
73				3.2			3.1	2.5				
78				2.9			2.8	2.2				
80							2.7	2.0				

Carbody counterweight: 20 t

Rear counterweight:

62.3 t



TLT 13618472 / V0. Above load charts are for reference only. For actual lift duty please refer to load chart in operator's cabin or manual. Otherwise we recommend you to plan your lifting job using Crane Planner 2.0.

www.liebherr.com/CranePlanner

Crane Planner 2.0

Load capacities with luffing jib

Load capacities in [t] with 60.8 m main boom [88/83/75/65°]

Radius [m]	Jib length 22.7 m				Jib length 31.7 m				Jib length 37.4 m			
	88°	83°	75°	65°	88°	83°	75°	65°	88°	83°	75°	65°
9.8	22.4											
12	20.5				16.7							
13	19.5				16.3				12.2			
18	14.5	17.2			12.7				10.8			
19	13.8	16.5			12.1				10.5			
20	13.1	15.7			11.6	13.1			10.0			
22	11.9	14.6			10.5	12.3			9.3	10.2		
25	10.6	13.1			9.1	11.2			8.3	9.4		
29		11.6	12.0		8.1	10.0			7.2	8.7		
32		10.3	11.1		7.5	9.2			6.6	8.1		
33			10.9		7.3	9.0	9.3		6.4	7.9		
34			10.7		7.10	8.7	9.1		6.2	7.8		
35			10.4		6.9	8.5	8.9		6.0	7.6	7.5	
37			10.1			8.1	8.5		5.7	7.10	7.3	
39			9.8			7.7	8.1		5.5	6.7	7.10	
40			9.7			7.5	8.0		5.3	6.6	6.9	
47				7.4			7.10	6.7			6.1	
49				7.10			7.0	6.4			5.9	
51								6.1			5.8	5.7
54								5.6			5.6	5.3
59								5.0				4.7
64												4.1
Radius [m]	Jib length 43.4 m				Jib length 46.1 m				Jib length 49.1 m			
	88°	83°	75°	65°	88°	83°	75°	65°	88°	83°	75°	65°
15	10.0				9.2				8.2			
16	9.60				9.0							
20	8.9				8.3				7.6			
24	7.8	8.5			7.4	7.8			7.0			
25	7.6	8.4			7.2	7.8			6.7	7.2		
30	6.4	7.6			6.2	7.2			5.9	6.7		
36	5.4	6.7			5.2	6.4			4.9	6.0		
38	5.1	6.5	6.3		4.9	6.2			4.6	5.8		
40	4.8	6.1	6.2		4.6	5.9	5.9		4.3	5.6	5.4	
42	4.6	5.8	6.0		4.3	5.6	5.7		4.1	5.4	5.3	
46	4.1	5.2	5.6		3.9	5.0	5.3		3.7	4.7	5.0	
49		4.8	5.3		3.7	4.6	5.1		3.4	4.4	4.8	
52		4.4	5.0			4.3	4.8		3.1	4.0	4.5	
54			4.9	4.8		4.0	4.7			3.8	4.4	
56			4.8	4.6			4.5	4.4		3.6	4.2	
57			4.7	4.5			4.5	4.3		3.5	4.2	4.1
60			4.6	4.1			4.3	4.0			4.0	3.8
63				3.8			4.2	3.7			3.9	3.5
66				3.6				3.4			3.7	3.2
70				3.2				3.1				2.9
73								2.9				2.7
76												2.5

Carbody counterweight: 20 t

Rear counterweight:

62.3 t



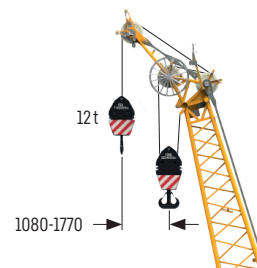
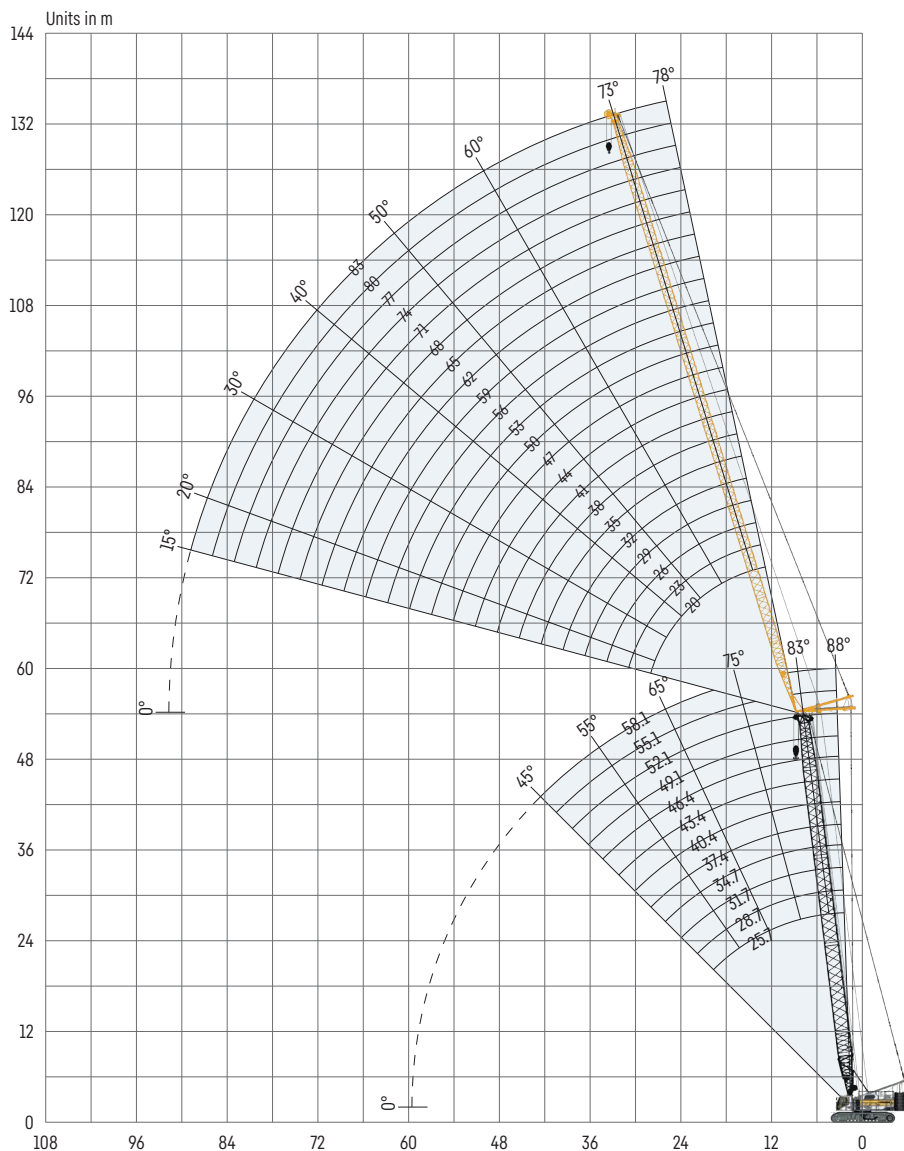
TLT 13618472 / V0. Above load charts are for reference only. For actual lift duty please refer to load chart in operator's cabin or manual. Otherwise we recommend you to plan your lifting job using Crane Planner 2.0.

www.liebherr.com/CranePlanner

Crane Planner 2.0

Luffing jib 1713.xx

Jib lengths 20-83 m



Auxiliary jib 12 t (option)
The maximum capacity of the auxiliary jib is 12 t.

Jib configuration 1713.xx

Jib section	Amount of jib sections																						
	1	1	1	1	1	1	1	1	1	1	1	1	1	1	1	1	1	1	1	1			
Jib foot 7m	1	1	1	1	1	1	1	1	1	1	1	1	1	1	1	1	1	1	1	1			
Jib section 3m		1		1		1		1		1		1		1		1		1		1			
Jib section 6m	1	1			1	1			1	1			1	1			1	1		1			
Jib section 12m				1	1	1	1	2	2	2	2	3	3	3	3	4	4	4	4	5	5	5	5
Jib head 7m	1	1	1	1	1	1	1	1	1	1	1	1	1	1	1	1	1	1	1	1	1	1	1
Jib length [m]	20	23	26	29	32	35	38	41	44	47	50	53	56	59	62	65	68	71	74	77	80	83	
Auxiliary jib	✓	✓	✓	✓	✓	✓	✓	✓	✓	✓	✓	✓	✓	✓	✓	✓	✓	✓	✓	✓	✓	✓	✓

For main boom configuration please refer to the table on page 20.

Load capacities with luffing jib

Load capacities in [t] with 25.7 m main boom [88/83/75/65°]

Radius [m]	Jib length 20 m				Jib length 32 m				Jib length 44 m			
	88°	83°	75°	65°	88°	83°	75°	65°	88°	83°	75°	65°
8.2	53.6											
11	42.7				35.5							
13	34.6	47.3			32.1							
14	31.8	44.2			29.0				23.3			
17	25.0	34.3			22.7	31.2			20.7			
21	18.2	23.8	29.6		17.0	23.6			15.2	20.4		
26		12.1	23.2		12.4	16.8	22.3		11.3	16.4		
29			20.3	18.8	10.8	14.3	19.8		9.9	14.1		
31				17.3	10.1	13.0	18.3		9.1	12.6	17.3	
36						10.5	14.9	13.8	7.5	10.0	13.9	
38							13.7	12.9	6.9	9.1	12.7	
39							13.1	12.5	6.6	8.7	12.2	
40							12.4	12.1	6.4	8.3	12.1	
41							11.8	11.7	6.2	8.0	11.7	
42							10.9	11.3	6.0	7.7	11.2	10.7
44								10.7	5.6	7.2	10.2	10.1
45								10.3	5.4	6.9	9.8	9.8
46								10.0	5.2	6.7	9.4	9.5
47								9.7		6.4	9.1	9.2
49										5.2	8.5	8.7
53											7.2	7.8
58												6.8
Radius [m]	Jib length 56 m				Jib length 68 m				Jib length 83 m			
	88°	83°	75°	65°	88°	83°	75°	65°	88°	83°	75°	65°
16	15.2											
19	14.4				10.1							
22	12.3				9.60				6.0			
24	11.2	13.3			9.1				5.9			
29	8.5	12.2			7.8	8.9			5.5			
32	7.4	11.5			6.7	8.7			5.3	5.5		
36	6.2	9.9	12.2		5.6	8.2			4.6	5.2		
40	5.3	7.8	10.9		4.6	7.7	8.3		3.7	4.9		
42	4.9	7.2	10.1		4.2	6.9	8.2		3.3	4.8		
46	4.2	6.0	8.5		3.5	5.7	7.4		2.6	4.5		
49	3.7	5.2	7.5	8.1	3.0	5.1	6.7		2.2	4.1	4.6	
54	3.1	4.3	6.3	7.0	2.3	4.0	5.7			3.3	4.4	
56	2.8	3.9	6.0	6.6	2.1	3.6	5.3	6.0		3.0	4.2	
58	2.5	3.6	5.6	6.3		3.2	5.0	5.7		2.8	3.9	
60		3.3	5.2	5.9		2.9	4.6	5.3		2.6	3.7	
64			4.4	5.3		2.3	4.0	4.7			3.2	3.6
67				4.9			3.6	4.3			2.9	3.4
69				4.6			3.4	4.1			2.7	3.2
73							2.8	3.6			2.1	2.7
76							2.3	3.3				2.5
81								2.9				2.1
82								2.6				

Carbody counterweight: 20 t

Rear counterweight:

62.3 t



TLT 13618472 / V0. Above load charts are for reference only. For actual lift duty please refer to load chart in operator's cabin or manual. Otherwise we recommend you to plan your lifting job using Crane Planner 2.0.

Crane Planner 2.0

www.liebherr.com/CranePlanner

Load capacities with luffing jib

Load capacities in [t] with 31.7 m main boom [88/83/75/65°]

Radius [m]	Jib length 20 m				Jib length 32 m				Jib length 44 m			
	88°	83°	75°	65°	88°	83°	75°	65°	88°	83°	75°	65°
8.2	53.6											
11	42.7				35.5							
13	34.6	47.3			32.1							
14	31.8	44.2			29.0				23.3			
17	25.0	34.3			22.7	31.2			20.7			
21	18.2	23.8	29.6		17.0	23.6			15.2	20.4		
22	17.0	21.9	28.3		15.7	22.1			14.2	19.8		
23	12.1	20.4	27.0		14.6	20.5			13.2	19.3		
24		19.1	25.6		13.7	19.1			12.5	18.6		
26		12.1	23.2		12.4	16.8	22.3		11.3	16.4		
29			20.3	18.8	10.8	14.3	19.8		9.9	14.1		
31				17.3	10.1	13.0	18.3		9.1	12.6	17.3	
33				16.0	9.4	11.9	16.9		8.5	11.4	15.9	
36						10.5	14.9	13.8	7.5	10.0	13.9	
38							13.7	12.9	6.9	9.1	12.7	
40							12.4	12.1	6.4	8.3	12.1	
43								11.0	6.0	7.7	11.2	10.7
45								10.3	5.6	7.2	10.2	10.1
47								9.7	5.2	6.7	9.4	9.5
50										5.2	8.5	8.7
54											7.2	7.8
59												6.8
Radius [m]	Jib length 56 m				Jib length 68 m				Jib length 83 m			
	88°	83°	75°	65°	88°	83°	75°	65°	88°	83°	75°	65°
16	15.2											
19	14.4				10.1							
22	12.3				9.60				6.0			
24	11.2	13.3			9.1				5.9			
29	8.5	12.2			7.8	8.9			5.5			
32	7.4	11.5			6.7	8.7			5.3	5.5		
36	6.2	9.9	12.2		5.6	8.2			4.6	5.2		
40	5.3	7.8	10.9		4.6	7.7	8.3		3.7	4.9		
47	4.0	5.7	8.1		3.4	5.5	7.3		2.5	4.4	4.7	
50	3.6	5.0	7.3	7.9	2.9	4.8	6.5			3.9	4.6	
52	3.3	4.6	6.8	7.4	2.6	4.4	6.0			3.6	4.5	
54	3.1	4.3	6.3	7.0	2.3	4.0	5.7			3.3	4.4	
56	2.8	3.9	6.0	6.6	2.1	3.6	5.3	6.0		3.0	4.2	
58	2.5	3.6	5.6	6.3		3.2	5.0	5.7		2.8	3.9	
60		3.3	5.2	5.9		2.9	4.6	5.3		2.6	3.7	
63			4.6	5.5		2.5	4.2	4.9		2.1	3.3	
65			4.1	5.2		2.2	3.9	4.6			3.1	3.6
69				4.6			3.4	4.1			2.7	3.2
70				4.5			3.2	4.0			2.5	3.1
75							2.5	3.4			2.0	2.6
76							2.3	3.3				2.5
82								2.6				

Carbody counterweight: 20 t

Rear counterweight:

62.3 t



TLT 13618472 / V0. Above load charts are for reference only. For actual lift duty please refer to load chart in operator's cabin or manual. Otherwise we recommend you to plan your lifting job using Crane Planner 2.0.

www.liebherr.com/CranePlanner

Crane Planner 2.0

Load capacities with luffing jib

Load capacities in [t] with 40.4 m main boom [88/83/75/65°]

Radius [m]	Jib length 20 m				Jib length 32 m				Jib length 44 m			
	88°	83°	75°	65°	88°	83°	75°	65°	88°	83°	75°	65°
8.5	43.2											
11	36.0				29.2							
15	25.7	35.0			22.8				19.5			
18	20.5	28.6			18.1	24.8			16.3			
22	15.6	20.8	26.1		13.7	19.5			12.2	16.8		
25		17.1	22.9		11.4	16.2			10.1	14.9		
27		12.1	21.2		10.5	14.4	19.0		9.2	13.5		
32			17.3	15.4	8.8	11.6	16.2		7.5	10.8		
33				14.8	8.5	11.1	15.7		7.3	10.4	13.9	
34				14.3	8.2	10.7	15.3		7.10	10.0	13.6	
36				13.3		9.9	14.3		6.8	9.3	12.7	
38				12.4		9.0	13.4		6.4	8.5	12.0	
40							12.6	11.1	6.2	7.9	11.3	
42							11.5	10.4	5.8	7.3	10.7	
44							10.4		9.8	5.5	6.8	10.0
45								9.5	5.4	6.6	9.7	
46								9.2	5.2	6.4	9.4	8.6
47								8.9		6.2	9.1	8.3
48								8.7		6.0	8.9	8.1
51								7.9			8.0	7.4
55											6.7	6.6
62												5.5
Radius [m]	Jib length 56 m				Jib length 68 m				Jib length 83 m			
	88°	83°	75°	65°	88°	83°	75°	65°	88°	83°	75°	65°
17	13.3											
19	12.6				8.9							
22	10.8				8.6				5.3			
26	8.7	11.3			7.4				5.1			
30	7.2	10.5			6.3	8.0	10.5		4.6			
32	6.6	9.8			5.7	7.8			4.4			
34	6.1	9.2			5.2	7.6			4.2	4.8		
40	4.8	7.10	10.0		4.0	6.8			3.0	4.5		
44	4.1	6.0	9.0		3.3	5.7	7.10		2.4	4.2		
46	3.8	5.5	8.4		3.0	5.1	7.0		2.1	4.0		
48	3.5	5.1	8.0		2.8	4.6	6.8			3.9		
50	3.2	4.7	7.6		2.5	4.2	6.5			3.6	4.2	
53	2.9	4.2	6.9	6.3	2.1	3.7	6.0			3.0	4.0	
56	2.6	3.7	6.2	5.8		3.2	5.5			2.5	3.9	
60		3.2	5.5	5.2		2.6	4.9	4.4			3.6	
63			4.9	4.8		2.2	4.4	4.0			3.3	
70				3.9			3.5	3.2			2.7	2.1
71				3.8			3.3	3.1			2.6	2.1
74				3.5			2.8	2.9			2.2	
76							2.5	2.7			2.0	
78							2.2	2.5				
85								2.0				

Carbody counterweight: 20 t

Rear counterweight:

62.3 t



TLT 13618472 / V0. Above load charts are for reference only. For actual lift duty please refer to load chart in operator's cabin or manual. Otherwise we recommend you to plan your lifting job using Crane Planner 2.0.

www.liebherr.com/CranePlanner

Crane Planner 2.0

Load capacities with luffing jib

Load capacities in [t] with 52.1 m main boom [88/83/75/65°]

Radius [m]	Jib length 20 m				Jib length 32 m				Jib length 44 m			
	88°	83°	75°	65°	88°	83°	75°	65°	88°	83°	75°	65°
8.9	31.3											
12	26.2				21.5							
14	22.5				19.5				15.1			
16	19.4	24.9			17.0				14.3			
19	15.9	21.4			13.8	17.2			12.0			
23	12.6	16.9			10.8	14.5			9.4	12.0		
25		14.9	17.6		9.60	13.3			8.5	11.2		
28		12.9	16.2		8.5	11.6			7.5	10.2		
30			15.4		8.0	10.7	12.4		6.9	9.60		
32			14.5		7.5	9.8	12.0		6.4	8.9		
34			13.9		7.10	9.0	11.4		6.0	8.2		
37				11.2		8.1	10.6		5.4	7.4	9.0	
39				10.5		7.6	10.1		5.0	6.8	8.6	
41				9.9			9.60		4.7	6.3	8.2	
43				9.3			9.2		4.5	5.9	7.9	
45							8.8	7.9	4.2	5.5	7.6	
48								7.3		5.0	7.10	
49								7.2		4.9	6.9	
50								7.0		4.7	6.8	
56								5.9			5.9	5.1
59											5.1	4.7
67												3.9
Radius [m]	Jib length 56 m				Jib length 68 m				Jib length 83 m			
	88°	83°	75°	65°	88°	83°	75°	65°	88°	83°	75°	65°
17	10.5											
19	10.0				6.4							
23	8.1				6.1				3.3			
27	6.7	8.6			5.2				3.3			
30	5.9	8.0			4.6	5.6			3.0			
34	5.0	7.2			3.8	5.1			2.6	3.1		
38	4.3	6.3			3.2	4.6			2.0	2.9		
41	3.9	5.6	6.7		2.8	4.3				2.7		
48	2.9	4.3	5.9			3.3	4.1			2.1		
50	2.7	4.0	5.6			3.0	3.9			2.0		
52	2.5	3.7	5.4			2.8	3.8				2.1	
53	2.4	3.5	5.3			2.7	3.7				2.1	
55	2.3	3.3	5.1			2.4	3.5					
58		2.9	4.7	4.0		2.1	3.3					
60		2.7	4.5	3.7			3.2					
64			4.1	3.3			2.9	2.4				
66			3.8	3.1			2.7	2.3				
69			3.4	2.9			2.5	2.0				
70			3.1	2.8			2.5					
74				2.4			2.2					
76				2.3								
79				2.1								

Carbody counterweight: 20 t

Rear counterweight:

62.3 t



TLT 13618472 / V0. Above load charts are for reference only. For actual lift duty please refer to load chart in operator's cabin or manual. Otherwise we recommend you to plan your lifting job using Crane Planner 2.0.

www.liebherr.com/CranePlanner

Crane Planner 2.0

Load capacities with luffing jib

Load capacities in [t] with 58.1 m main boom [88/83/75/65°]

Radius [m]	Jib length 20 m				Jib length 26 m				Jib length 32 m			
	88°	83°	75°	65°	88°	83°	75°	65°	88°	83°	75°	65°
9.1	26.3											
11	24.3				21.7							
12	22.9				20.8				18.3			
17	16.3	19.9			15.2				14.0			
18	15.4	19.0			14.2	17.1			13.1			
20	13.6	17.3			12.4	15.7			11.7	14.0		
24	10.6	14.5			10.1	13.2			9.3	11.8		
26		13.1			9.1	12.2			8.5	11.1		
27		12.6	14.0		8.9	11.7			8.2	10.7		
28		12.1	13.6		8.6	11.2			7.9	10.3		
31		11.6	13.3		8.3	10.7	11.5		7.6	10.0		
			12.6			9.9	11.1		7.10	9.3		
33			11.9			9.3	10.5		6.8	8.6	9.60	
35			11.4			8.6	10.0		6.4	8.0	9.1	
37			11.1				9.5			7.6	8.7	
39				9.3			9.1			7.10	8.4	
43				8.3			8.3	8.0			7.7	
44				8.1				7.9			7.5	
47								7.3			7.2	6.5
48								7.10			7.10	6.4
52								6.4				5.7
58												4.9
Radius [m]	Jib length 38 m				Jib length 44 m				Jib length 50 m			
	88°	83°	75°	65°	88°	83°	75°	65°	88°	83°	75°	65°
13	15.3											
15	14.5				11.6							
17	12.9				10.7				9.4			
22	9.60	11.7			8.6				7.8			
23	9.2	11.2			8.1	9.0			7.5			
25	8.4	10.5			7.4	8.7			6.8	7.6		
27	7.7	9.9			6.8	8.2			6.2	7.4		
31	6.6	8.7			5.8	7.5			5.3	6.7		
35	5.8	7.6	8.3		5.1	6.7			4.6	6.1		
37	5.5	7.10	8.0		4.8	6.4	6.5		4.3	5.7		
41	4.9	6.2	7.3		4.2	5.6	6.1		3.7	5.2	5.4	
44		5.7	6.9		3.9	5.0	5.8		3.4	4.6	5.1	
47			6.4		3.4	4.6	5.5		3.1	4.2	4.8	
50			6.1	5.6		4.2	5.1		2.8	3.7	4.5	
52			6.0	5.3		3.8	4.9		2.6	3.5	4.4	
54			5.8	5.0			4.8	4.5		3.3	4.2	
58				4.5			4.5	4.0		2.7	3.9	3.6
60				4.3			3.9	3.8			3.8	3.4
64				3.9				3.4			3.5	3.0
66								3.2			3.0	2.8
70								2.9				2.5
75												2.1

Carbody counterweight: 20 t

Rear counterweight:

62.3 t



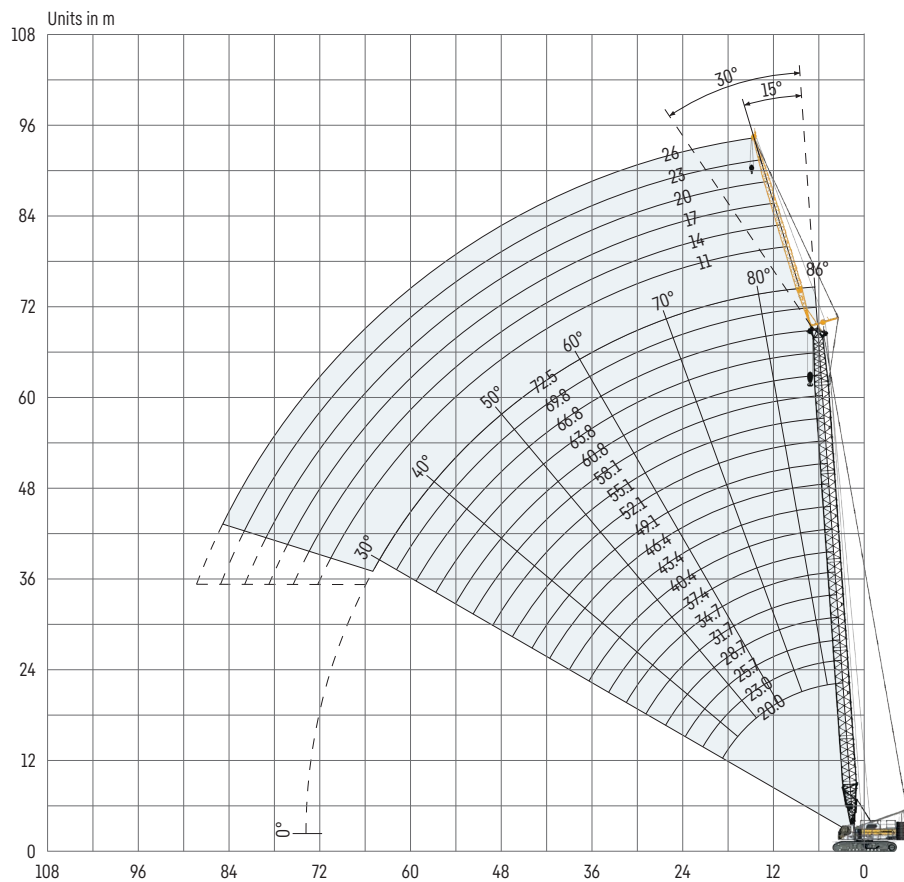
TLT 13618472 / V0. Above load charts are for reference only. For actual lift duty please refer to load chart in operator's cabin or manual. Otherwise we recommend you to plan your lifting job using Crane Planner 2.0.

Crane Planner 2.0

www.liebherr.com/CranePlanner

Fixed jib 1008.xx

Jib lengths 11-26 m



Jib configuration 1008.xx

Jib section	Amount of jib sections					
Jib foot 5.5 m	1	1	1	1	1	1
Jib section 3 m		1		1		1
Jib section 6 m			1	1	2	2
Jib head 5.5 m	1	1	1	1	1	1
Jib length [m]	11	14	17	20	23	26

For main boom configuration please refer to the table on page 20.

Load capacities with fixed jib

Load capacities in [t] with 20 m main boom

	Jib length 11 m		Jib length 14 m		Jib length 17 m		Jib length 20 m		Jib length 26 m	
	15°	30°	15°	30°	15°	30°	15°	30°	15°	30°
5.7	35.9		35.9							
8	35.9		35.9		32.9					
10	35.9	28.4	35.9	28.4	27.9		24.5			
12	35.9	25.8	35.9	25.8	24.0	17.1	21.9		18.1	
15	33.2	24.0	33.2	24.0	21.8	15.5	18.7	13.5	15.8	
19	30.6	22.0	30.6	22.0	18.2	13.3	15.6	11.6	13.0	9.8
23	27.6	22.0	27.6	22.0	17.5	12.6	14.4	10.5	11.2	8.4
28	22.1	19.8	22.1	19.8	15.6	12.4	13.6	10.5	10.4	7.4
32		18.4		18.4	14.3	12.0	12.4	10.0	10.4	7.3
36					13.3	11.5	11.6	9.4	9.5	7.3
37						11.4	11.4	9.3	9.3	7.2
39							11.0	9.1	8.9	7.0
40								9.0	8.8	6.9
46									7.8	6.5

Load capacities in [t] with 34.7 m main boom

	Jib length 11 m		Jib length 14 m		Jib length 17 m		Jib length 20 m		Jib length 26 m	
	15°	30°	15°	30°	15°	30°	15°	30°	15°	30°
6.2	35.9									
8	35.9		35.0							
10	35.9	34.4	34.6		33.8					
11	35.9	33.2	34.0		32.8		28.1			
14	35.9	30.6	32.5	25.9	30.0	20.6	25.7		17.8	
16	35.1	29.1	31.6	24.6	27.9	19.0	24.4	16.9	16.9	
20	32.3	26.2	28.7	22.8	24.7	17.0	21.7	14.9	15.3	11.0
28	20.4	20.7	21.7	19.0	20.1	14.4	17.8	12.5	13.1	9.3
35	14.8	15.0	15.6	15.9	15.8	12.7	15.0	11.4	11.3	8.3
43	10.8	10.8	11.3	11.5	11.5	11.7	11.7	10.1	9.7	7.3
47			9.8	9.8	10.0	10.1	10.1	9.60	9.0	7.0
50					8.9	9.0	9.1	9.2	8.6	6.8
53							8.1	8.2	8.3	6.6
59									6.8	6.5

Load capacities in [t] with 49.1 m main boom

	Jib length 11 m		Jib length 14 m		Jib length 17 m		Jib length 20 m		Jib length 26 m	
	15°	30°	15°	30°	15°	30°	15°	30°	15°	30°
6.7	35.9									
10	35.9	33.6	32.7		29.7					
13	35.9	31.2	31.9	26.1	28.4		23.6		16.5	
15	34.7	29.9	31.2	25.1	27.0	20.1	22.0	16.4	15.9	
19	30.8	26.9	28.2	23.1	24.2	18.4	20.0	15.0	14.8	11.4
28	19.7	20.2	21.0	18.6	19.7	15.3	16.8	12.6	12.9	9.5
38	12.4	12.7	13.1	13.5	13.3	13.1	12.4	11.3	11.4	8.2
48	8.3	8.4	8.8	9.0	8.9	9.2	8.4	8.7	8.9	7.3
55	6.3	6.4	6.7	6.8	6.9	7.0	6.4	6.6	6.9	6.9
59			5.7	5.8	5.9	6.0	5.5	5.7	6.0	6.2
62					5.2	5.3	4.9	5.0	5.3	5.5
64								4.6	4.9	5.1
70									3.9	4.0
71										3.8

Carbody counterweight: 20 t

Rear counterweight:

62.3 t

TLT 13618472 / V0. Above load charts are for reference only. For actual lift duty please refer to load chart in operator's cabin or manual. Otherwise we recommend you to plan your lifting job using Crane Planner 2.0.

Load capacities with fixed jib

Load capacities in [t] with 66.8 m main boom

	Jib length 11 m		Jib length 14 m		Jib length 17 m		Jib length 20 m		Jib length 26 m	
	15°	30°	15°	30°	15°	30°	15°	30°	15°	30°
6.7	35.9									
8	35.9		27.9							
10	35.9	33.6	26.9	23.7	21.2					
12	35.9	32.2	25.7	23.2	20.5		18.3			
14	35.5	30.5	24.6	22.3	19.7	16.6	17.8		13.7	
16	34.0	29.0	23.3	21.2	18.8	16.3	17.1	14.2	13.4	
20	29.1	26.4	20.8	19.5	17.3	15.3	15.8	13.6	12.6	10.4
28	19.7	20.2	16.4	16.1	14.7	13.6	13.7	12.3	11.4	9.7
38	12.4	12.7	11.5	11.8	11.6	11.6	11.6	10.7	10.1	8.5
48	8.3	8.4	7.3	7.6	7.7	8.0	7.8	8.2	7.9	7.6
55	6.3	6.4	5.4	5.5	5.7	5.9	5.8	6.1	6.0	6.5
56		6.1	5.1	5.3	5.4	5.7	5.5	5.8	5.7	6.2
71			2.3	2.4	2.6	2.7	2.7	2.8	2.8	3.1
75					2.0	2.1	2.1	2.2	2.3	2.5

Load capacities in [t] with 69.8 m main boom

	Jib length 11 m		Jib length 14 m		Jib length 17 m		Jib length 20 m	
	15°	30°	15°	30°	15°	30°	15°	30°
7.4	24.6							
9	24.3		21.3					
11	23.7	21.8	21.2		18.9			
13	22.8	21.2	20.6	18.3	18.7		16.8	
16	21.5	19.8	19.4	17.5	17.6	15.4	15.9	13.4
25	16.4	16.7	16.0	14.9	14.8	13.4	13.5	12.0
32	13.7	13.8	13.2	13.0	12.8	12.2	12.0	11.2
42	9.4	9.7	9.5	9.9	9.60	10.1	9.60	10.0
52	6.0	6.2	6.1	6.4	6.3	6.6	6.4	6.8
62	3.7	3.8	3.8	4.0	3.9	4.2	4.0	4.3
68	2.6	2.7	2.7	2.8	2.9	3.0	3.0	3.2
72	2.0	2.1			2.2	2.4	2.3	2.5
74							2.0	2.2
75								2.0

Carbody counterweight: 20 t

Rear counterweight:

62.3 t

TLT 13618472 / V0. Above load charts are for reference only. For actual lift duty please refer to load chart in operator's cabin or manual. Otherwise we recommend you to plan your lifting job using Crane Planner 2.0.

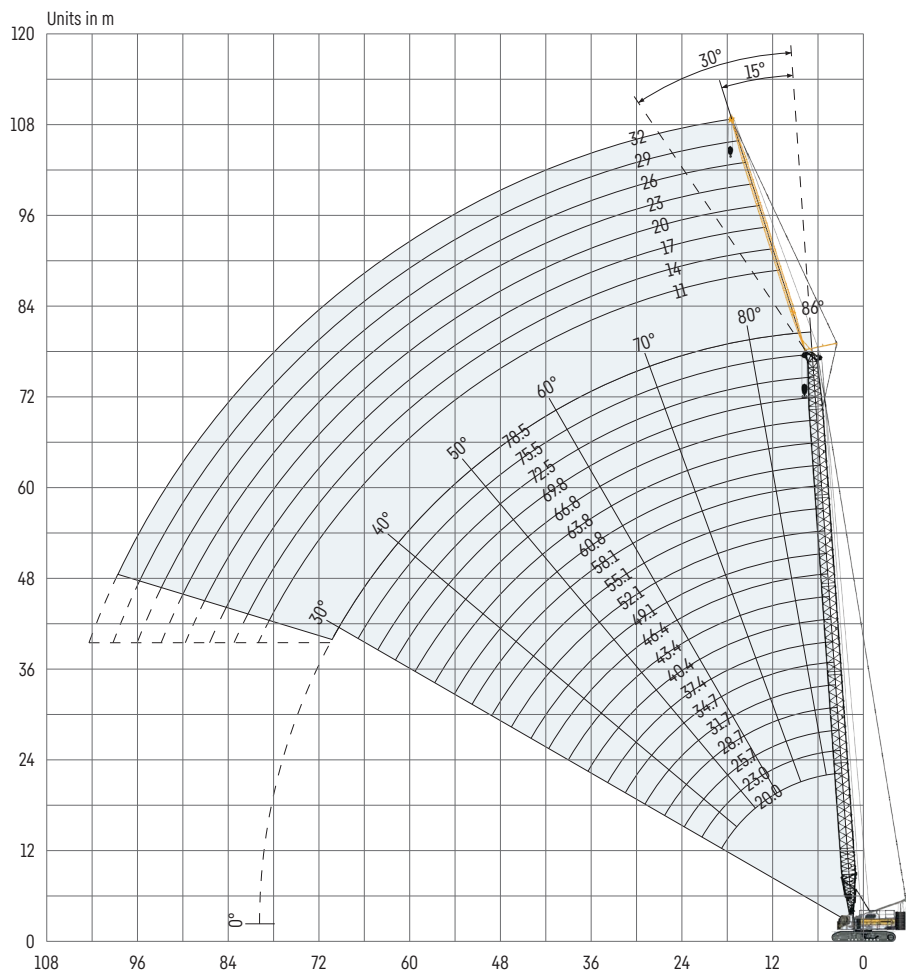


www.liebherr.com/CranePlanner

 **Crane Planner 2.0**

Fixed jib 0806.xx

Jib lengths 11-32 m



Jib configuration 0806.xx

Jib section	Amount of jib sections							
Jib foot 5.5 m	1	1	1	1	1	1	1	1
Jib section 3 m		1		1		1		1
Jib section 6 m			1	1	2	2	3	3
Jib head 5.5 m	1	1	1	1	1	1	1	1
Jib length [m]	11	14	17	20	23	26	29	32

For main boom configuration please refer to the table on page 20.

Load capacities with fixed jib

Load capacities in [t] with 20 m main boom

	Jib length 11 m		Jib length 17 m		Jib length 23 m		Jib length 29 m		Jib length 32 m	
	15°	30°	15°	30°	15°	30°	15°	30°	15°	30°
5.9	23.0									
8	21.8									
10	20.8	18.6	13.3							
12	20.0	17.9	12.6		9.7					
14	19.2	17.4	12.1	10.9	9.3		6.6			
16	18.5	16.9	11.6	10.6	9.0		6.4		5.2	
18	17.7	16.3	11.2	10.3	8.7	8.0	6.2		5.0	
22	16.6	14.6	10.4	9.8	8.1	7.5	5.7	5.3	4.5	4.2
26	15.7	13.2	9.9	9.1	7.6	7.10	5.3	5.0	4.2	3.9
30	14.4	12.3	9.5	8.4	7.2	6.5	5.0	4.7	3.9	3.7
36			8.6	7.7	6.8	5.8	4.6	4.4	3.6	3.4
42					6.0	5.5	4.3	4.1	3.3	3.2
48							4.1	4.0	3.1	3.1
52										3.0

Load capacities in [t] with 34.7 m main boom

	Jib length 11 m		Jib length 17 m		Jib length 23 m		Jib length 29 m		Jib length 32 m	
	15°	30°	15°	30°	15°	30°	15°	30°	15°	30°
5.9	21.4									
10	20.7	18.4	12.8							
14	19.6	17.8	11.9	10.7	8.9					
16	19.2	17.6	11.7	10.5	8.7		6.2		5.0	
22	18.1	17.0	10.8	10.0	8.2	7.6	5.7	5.2	4.6	
26	17.5	15.5	10.4	9.7	7.9	7.3	5.4	5.0	4.3	3.9
30	17.0	14.4	10.0	9.2	7.6	7.10	5.1	4.8	4.0	3.7
34	16.2	13.4	9.7	8.8	7.3	6.8	4.9	4.6	3.9	3.6
40	12.8	12.5	9.3	8.1	7.0	6.2	4.5	4.4	3.5	3.4
43	11.5	11.6	9.0	7.9	6.8	5.9	4.4	4.3	3.4	3.3
48			8.5	7.6	6.5	5.6	4.2	4.2	3.3	3.2
55					6.0	5.4	4.1	4.0	3.1	3.1
60							4.0	4.0	3.1	3.1
64									3.0	3.1

Load capacities in [t] with 49.1 m main boom

	Jib length 11 m		Jib length 17 m		Jib length 23 m		Jib length 29 m		Jib length 32 m	
	15°	30°	15°	30°	15°	30°	15°	30°	15°	30°
5.9	19.8									
9	19.5	17.4	12.1							
11	19.4	17.2	11.9							
14	18.9	17.0	11.6	10.4	8.3		5.8			
18	18.3	16.7	11.2	10.2	8.1	7.5	5.6		4.6	
24	17.4	16.5	10.6	9.9	7.7	7.4	5.3	5.0	4.4	3.9
28	17.0	16.0	10.4	9.7	7.5	7.3	5.2	4.9	4.2	3.8
32	16.2	15.1	10.1	9.5	7.4	7.10	5.0	4.8	4.1	3.7
38	12.7	12.9	9.7	9.0	7.10	6.8	4.8	4.6	3.8	3.6
44	10.1	10.3	9.4	8.6	6.9	6.3	4.6	4.4	3.6	3.4
50	8.2	8.3	8.5	8.1	6.8	5.9	4.4	4.3	3.4	3.3
60			6.1	6.2	6.3	5.5	4.1	4.1	3.2	3.2
70							4.1	4.0	3.1	3.2
76										3.2

Carbody counterweight: 20 t

Rear counterweight:

52.3 t 62.3 t

TLT 13618472 / V0. Above load charts are for reference only. For actual lift duty please refer to load chart in operator's cabin or manual. Otherwise we recommend you to plan your lifting job using Crane Planner 2.0.

Load capacities with fixed jib

Load capacities in [t] with 66.8 m main boom

	Jib length 11 m		Jib length 17 m		Jib length 23 m		Jib length 29 m		Jib length 32 m	
	15°	30°	15°	30°	15°	30°	15°	30°	15°	30°
7.5	15.4									
12	15.1	14.3	9.5							
16	14.9	14.2	9.2	9.1	6.5		4.5			
22	14.5	14.1	9.0	9.0	6.3	6.1	4.3	4.2	3.6	
30	13.9	14.0	8.8	8.9	6.0	6.1	4.2	4.2	3.5	3.4
38	12.0	12.3	8.6	8.8	5.9	6.1	4.1	4.1	3.4	3.4
48	8.1	8.4	8.4	8.7	5.7	6.0	3.9	4.1	3.2	3.3
58	5.5	5.6	5.9	6.1	5.3	5.8	3.8	4.1	3.1	3.2
68	3.6	3.7	4.0	4.1	4.1	4.3	3.8	4.0	3.0	3.1
72			3.3	3.5	3.5	3.7	3.8	4.0	3.0	3.1
77			2.7	2.7	2.8	2.9	3.2	3.4	3.0	3.1
78					2.7	2.8	3.1	3.3	2.9	3.1
82					2.2	2.3	2.6	2.7	2.6	2.9
87							2.0	2.1	2.2	2.3

Load capacities in [t] with 78.5 m main boom

	Jib length 11 m		Jib length 17 m		Jib length 20 m		Jib length 23 m		Jib length 26 m	
	15°	30°	15°	30°	15°	30°	15°	30°	15°	30°
7.5	12.2									
10	12.2	11.9	7.6							
14	12.0	11.6	7.5	7.5	6.3		5.2			
20	11.5	11.3	7.3	7.4	6.2	6.4	5.1	5.2		4.2
30	10.9	11.0	7.0	7.3	6.1	6.4	4.9	5.2		4.2
38	9.8	10.3	6.9	7.2	6.0	6.4	4.9	5.2		4.2
46	7.7	8.0	6.8	6.9	5.9	6.3	4.8	5.1		4.2
54	5.5	5.7	5.9	6.3	5.8	6.2	4.8	5.1		4.2
60	4.2	4.4	4.6	4.9	4.8	5.1	4.5	5.1		4.2
66	3.1	3.3	3.5	3.7	3.7	3.9	3.8	4.2		4.0
72	2.2	2.3	2.6	2.8	2.7	2.9	2.9	3.2		3.3
76			2.1	2.2	2.2	2.4	2.4	2.6		2.7
77				2.1			2.2	2.4		2.6
81										2.1

Carbody counterweight: 20 t

Rear counterweight:

52.3 t 62.3 t

TLT 13618472 / V0. Above load charts are for reference only. For actual lift duty please refer to load chart in operator's cabin or manual. Otherwise we recommend you to plan your lifting job using Crane Planner 2.0.



www.liebherr.com/CranePlanner

Crane Planner 2.0



Download datasheet



Please contact us.

Liebherr-Werk Nenzing GmbH · Dr. Hans Liebherr Str. 1 · 6710 Nenzing, Austria
Phone +43 50809 41-473 · crawler.crane@liebherr.com · www.liebherr.com
facebook.com/LiebherrConstruction