

EN

LR 1200.1 unplugged

LR 1104.03.08
www.liebherr.com

LIEBHERR

Crawler cranes

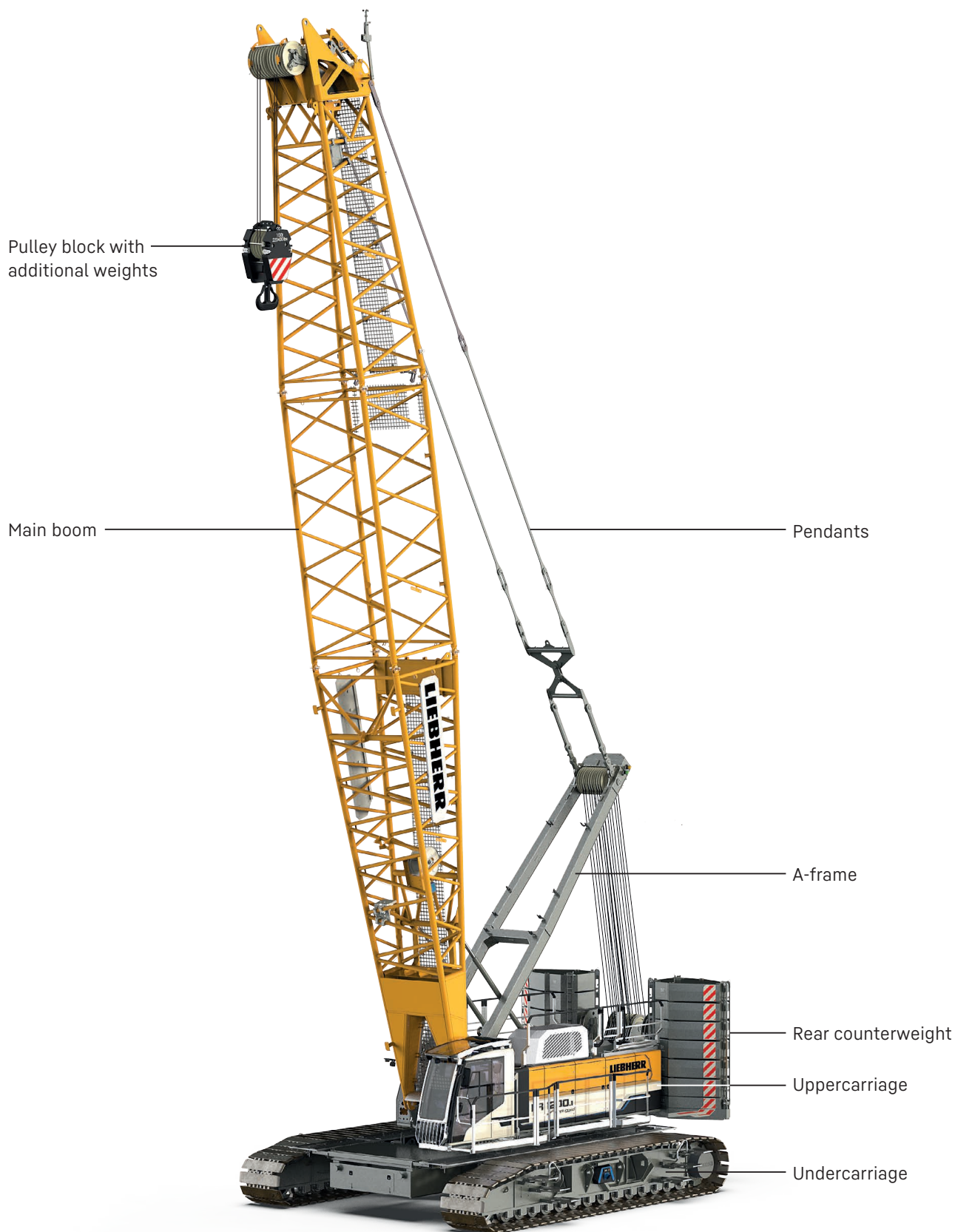


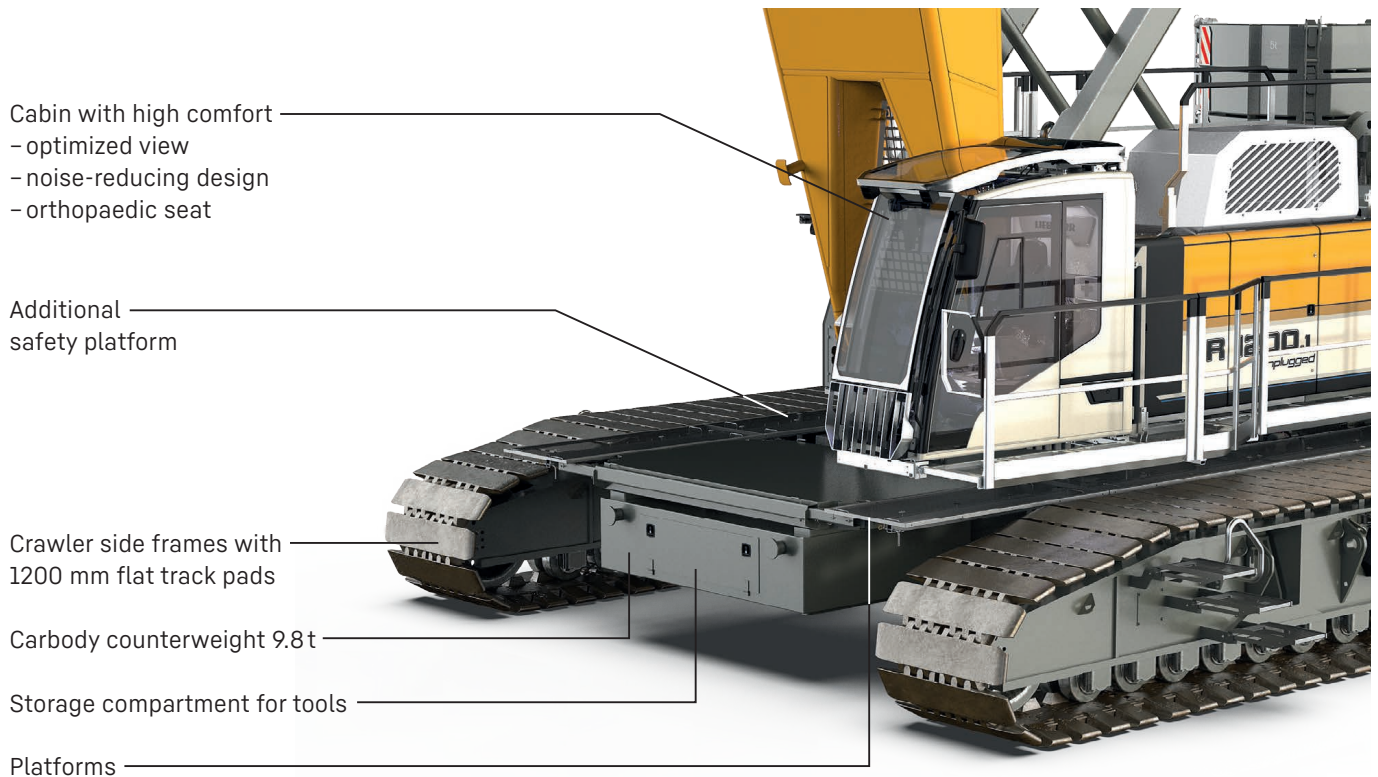
Concept and characteristics	3
Technical description	8
Dimensions	10
Transport dimensions and weights	11
Self-assembly system	16
Boom combinations	18
Main boom 2320.xx	20
Luffing jib 1713.xx	22
Luffing jib 1916.xx	28
Fixed jib 1008.xx	34
Fixed jib 0806.xx	38
Fixed jib 0906.21	42

Remarks

- The load capacities stated are valid for lifting operation only (corresponding with crane classification according to ISO 4301-1, crane group A1).
- Machine is standing on firm, horizontal ground.
- The weight of the lifting device (pulley block, hoist ropes, shackles etc.) must be deducted from the load capacity.
- Additional equipment on boom (e.g. walkways) must be deducted from the load capacity.
- The max. admissible wind speed can be preselected in the LML software and referred to in the load chart.
- Working radii are measured from centre of swing ring and under load.
- The lifting capacities are valid for 360 degrees of swing.
- Calculation of stability under load is based on ISO 4305 Table 1+2+3, tipping angle 4°.
- The steel structures are calculated according to EN 13001-1; EN 13001-2.
- The last digits of the given dimensions are rounded to 0 and 5 and may differ from the actual dimensions.
- Weights may vary depending on the delivered configuration of the machine, filling level of the tanks as well as generally valid tolerances.
- The illustrations in this brochure may include options which are not within the standard scope of supply of the machine.

Concept and characteristics





High performance

A powerful, efficient and reliable electro-hydraulic drive system combined with a high-performance lithium-ion battery ensures high productivity and allows for several movements to be carried out simultaneously.

Ground pressure

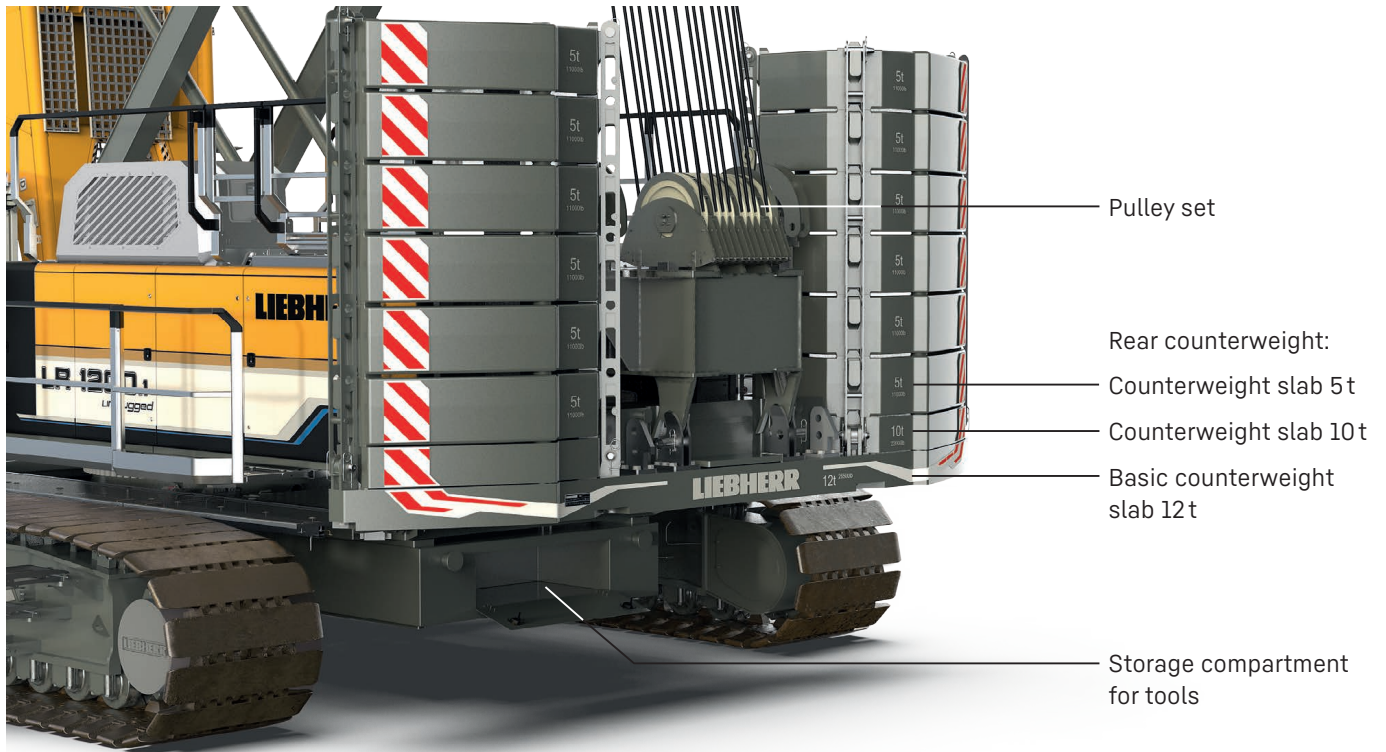
The actual ground pressure is calculated according to the configuration and position of the machine and displayed in the operator's cabin. Using the optional Liebherr Crane Planner the actual ground pressure can already be calculated and displayed in the planning stage.

Cabin with high comfort

Optimised field of vision combined with enhanced comfort: an orthopaedic operator's seat with heating and cooling functions, as well as precise and ergonomic controls are included.

Control

Easy and intuitive handling of control, service and machine functions through a large, clear colour monitor. Built for extreme environmental conditions.



Pulley set

Rear counterweight:

Counterweight slab 5 t

Counterweight slab 10 t

Basic counterweight slab 12 t

Storage compartment for tools

Efficient self-assembly system and short assembly times

The self-assembly system enables safe, independent and quick assembly/disassembly of the crawler side frames, the carbody and rear counterweights, as well as boom elements.

Mobility

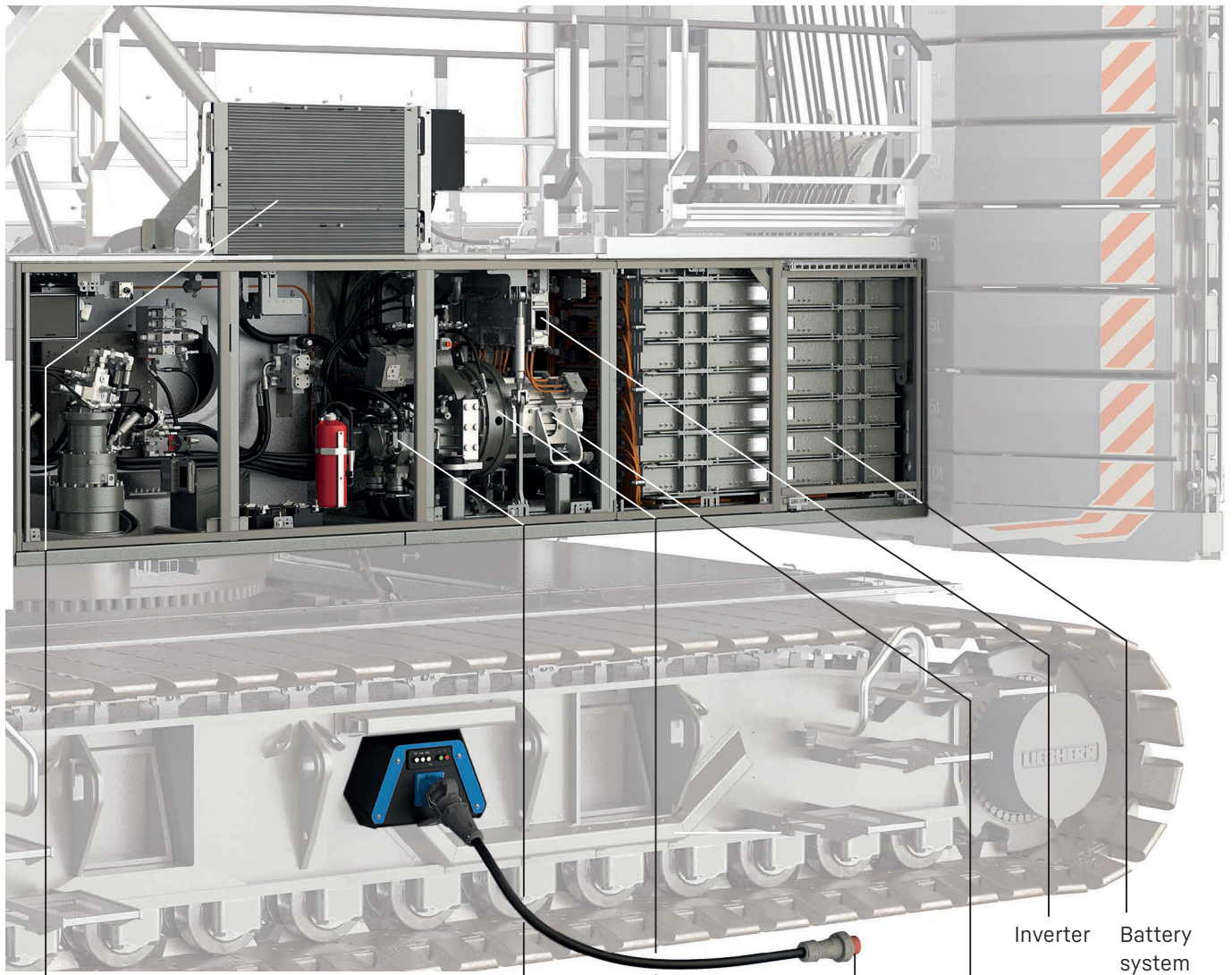
Crane parts are optimized for transportation. The maximum transport width is 3 m.

Easy service and low maintenance

The design ensures easy maintenance and service as well as safe access to the components.

Boom

A variety of boom systems and configurations allow for optimum operation on the most diverse jobsites.



Combination cooler with expansion tank

Hydraulic pumps

Distribution gearbox

CEE plug

Electric engine

Inverter
Battery system

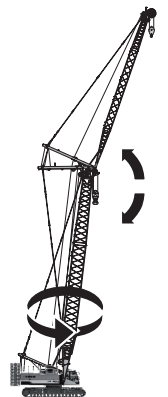
Control unit

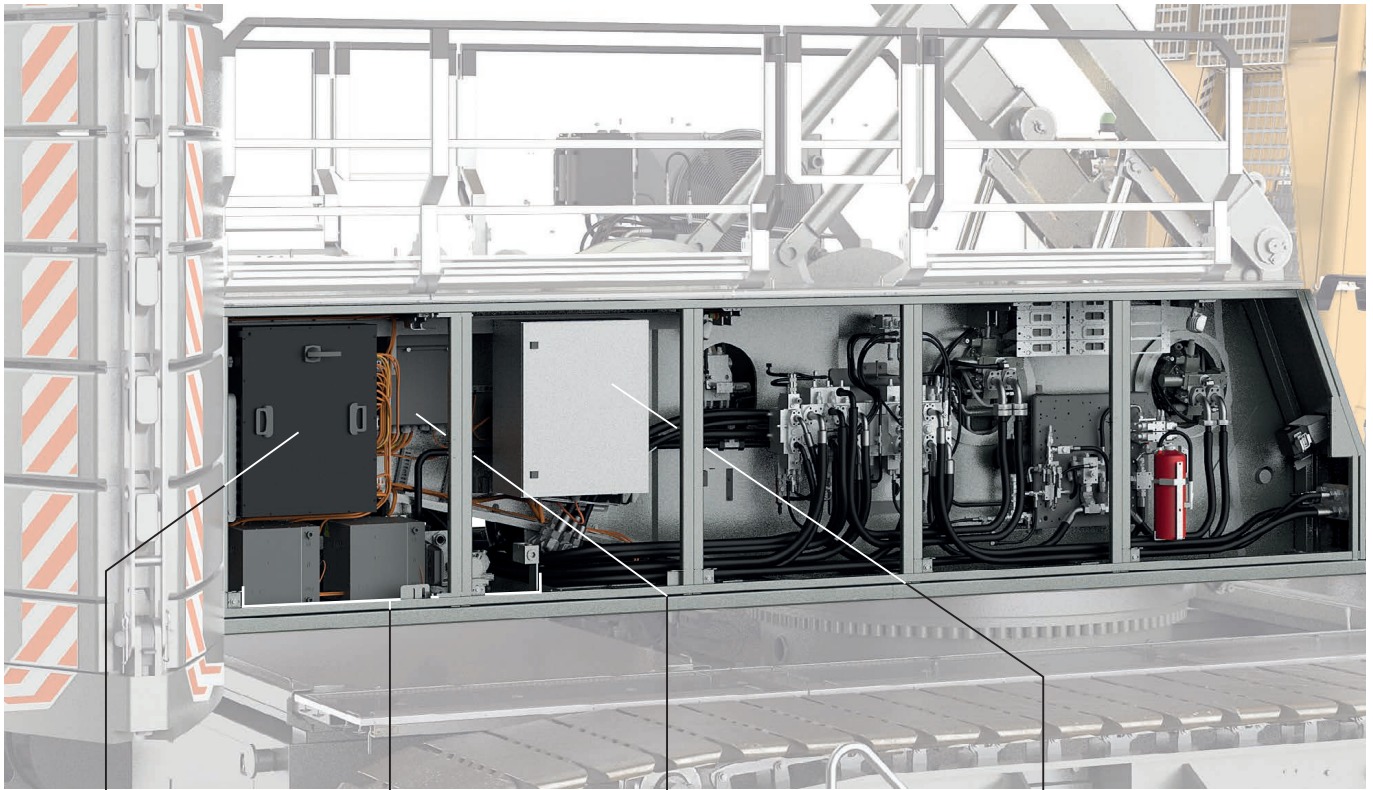


Charging power:
 - 20 kW (32A / 400VAC)
 - 40 kW (63A / 400VAC)
 - 80 kW (125A / 400VAC) Option

Performance “plugged in”

The crane’s performance in “plugged in” operation is in no way inferior to its diesel-driven performance. The machine can be used without limitations as the battery charges continuously when connected and so delivers sufficient energy at all times.





Switch cabinet 700VDC
(Direct Current)

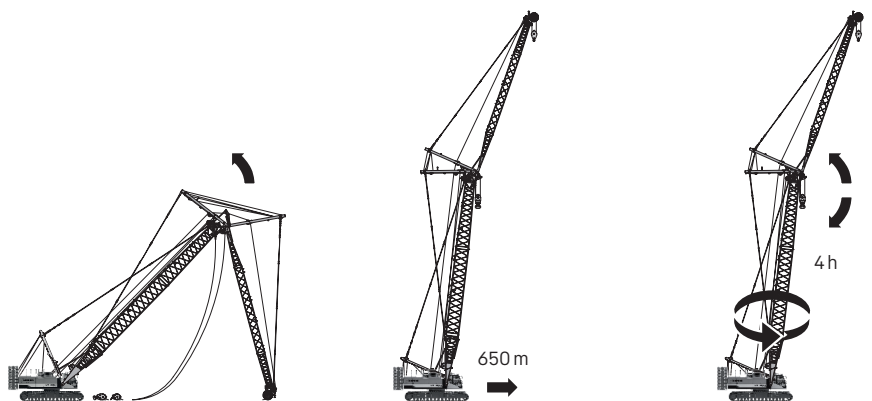
Thermal management
system

Switch cabinet 400VAC
(Alternating Current)

Switch cabinet 24V LVDU
(Low Voltage Distribution Unit)

Performance “unplugged”

The crane’s performance in “unplugged” operation allows for erecting the boom and jib, for travelling a distance of approx. 650 m with full counterweight or for approx. 4 hours of crane operation.



Technical description



Drive system

Max. drive power	255 kW (45°C temperature of cooling water)
Battery type	High Performance Battery System
Technology	Li-Ion NMC (nickel manganese cobalt)
Gross battery capacity	196 kWh
Max. charging power	40 kW (CEE socket 63 A / 400 V AC) 20 kW (CEE socket 32 A / 400 V AC)
Option	80 kW (CEE socket 125 A / 400 V AC)
Mains voltage	400 V AC (3 phase + N + PE)



Noise measurement data and vibration

Noise emission	according to 2000/14/EC directive	
Emission sound pressure level L_{PA}	72 dB(A)	(in the cabin)
Guaranteed sound power level L_{WA}	105 dB(A)	(of the machine)
Vibration transmitted to the machine operator	< 2.5 m/s ²	(to the hand-arm system)
	< 0.5 m/s ²	(to the whole body)



Hydraulic system

Hydraulic pumps	double axial displacement pump in open loop hydraulic system allows all functions to be operated simultaneously automatic working pressure cut-off to minimize peak pressure
Hydraulic oil tank capacity	650 l
Max. working pressure	350 bar
Hydraulic oil	electronic monitoring of alle filters use of synthetic environmentally friendly oil



Control

Control system	includes all control and monitoring functions, designed to withstand extreme environmental conditions and heavy construction tasks
Display	high resolution monitor in the operator's cabin, clear display of complete machine operating data, warnings and failure indications in the required language
Operation	several movements can be performed simultaneously thanks to electro-hydraulic proportional control, all categories of loads can be positioned with utmost precision



Crawlers

Drive system	with fixed axial piston hydraulic motors
Crawler side frames	maintenance-free, with hydraulic chain tensioning device
Brake	hydraulically released, spring-loaded multi-disc holding brake
Drive speed	0-1.6 km/h
Flat track pads	width 1200 mm



Swing gear

Drive system	with fixed axial piston hydraulic motors, planetary gearbox, pinion
Swing ring	roller bearing with external teeth
Brake	hydraulically released, spring-loaded multi-disc holding brake
Swing speed	0-1.8 rpm continuously variable
Speed control	both swing modes are possible - speed control or free swing for speed control: a multi-disc holding brake locks automatically at zero swing motion



Hoisting gear

Standard crane winches 1+2	internal low-maintenance planetary gearbox in oil bath, load support by the hydraulic system, spring-loaded, multi-disc holding brake, pressure controlled, variable flow hydraulic motors for the main winches, full utilisation of engine power as the winch speed is automatically adjusted to suit the respective line pull
Line pull in the 7 th layer	120 kN
Rope diameter	26 mm
Drum diameter	580 mm
Rope speed	0-136 m/min
Rope capacity in 7 layers	489 m
Option - winch with free fall	Free fall: clutch and braking functions are provided by the service brake (low wear and maintenance-free multi-disc brake in compact design)



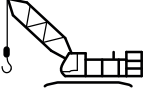




Boom/jib luffing winches

Main boom	
Line pull	max. 180 kN
Rope diameter	24 mm
Boom luffing	15-86° in 169 s
Jib	
Line pull	max. 105 kN
Rope diameter	20 mm
Jib luffing	15-78° in 51 s

Operating weight

Composition of operating weight	basic machine with crawlers winches 1+2 (incl. ropes), A-frame 20 m main boom, consisting of boom foot (10 m), boom head (7 m) and boom section (3 m) 82.3 t rear counterweight (12×5 t + 1×12 t + 1×10 t + 0.3 t) 36 t carbody counterweight (2×9.8 t + 2×8.3 t) 250 t pulley block
Total weight	approx. 212 t

Operation modes

	 Lifting mode	 Grab mode	 Personnel lifting mode
 Land	✓	✓	✓
 Floating structure (barge operation)	✓	✓	✓*

* only valid for jack-up barges

Optional equipment

Basic machine

Main winches 12t with free fall
Painting in customer design
Load hook 12.5 / 40 / 80 / 100 / 160 / 250 t
Charging power 80 kW (125A / 400VAC)

Boom/jib

Luffing jib: luffing winch
Carbon fibre pendants

Boom/jib other

Walkway for main boom foot, incl. fall protection
Walkway for main boom head, incl. fall protection
Rope guide for main boom walkway, incl. fall protection
Additional fall protection harness for 1 person
Walkways for main boom sections 3 / 6 / 12 m
Walkways for main boom sections 3 / 6 / 12 m, incl. fall protection

Application packages

Operation mode: personnel lifting (O)
Operation mode: barge operation (O)
Operation mode: foundation work (O)
Operation mode: wind speed pre-selection (S)
Operation mode: travelling with load (S)

Winch synchronization

Radio remote control
Rope reeving function via radio remote control
Assembly radio remote control
Use of luffing jib winch as auxiliary winch
Tagline winch 2t free fall
Main winch constant tension for one winch

Two hook operation

Cabin elevator 6 m hydraulic

Special features

Crane Planner 2.0
LiDAT

Self-assembly system

Jack-up system standard / telescopic
Self-assembly system counterweight
Self-assembly cylinder
Reeving winch
Track shifting hydraulic

Service package

Cold package -25°C
Hydraulic oil bypass filter
Central lubrication swing ring bearings / outside
Liebherr hydraulic oil plus (longlife & bio)
Liebherr hydraulic oil plus arctic (longlife & bio)
Liebherr hydraulic oil plus arctic (longlife)

Safety features

Assistance system: Boom Up-and-Down Assistant
Assistance system: Horizontal Load Path
Assistance system: Vertical Line Finder
Assistance system: Ground Pressure Indication and Visualization
Rear and side view cameras

Winch camera

Zoom camera at boom head
Platforms and railings on uppercarriage 570 mm
Additional access ladder for boom assembly
Railings on rooftop foldable
Railings for cabin platform
Cabin protection roof, FOPS level 1
Vandalism cabin protection

Lifting height indication for both hoist winches
Plug&Play diesel-hydraulic back-up unit 18.4 kW
Swing and boom radius limit device

Aircraft warning light
Swing warning light
Lightning rod
Mechanical angle display
Access control

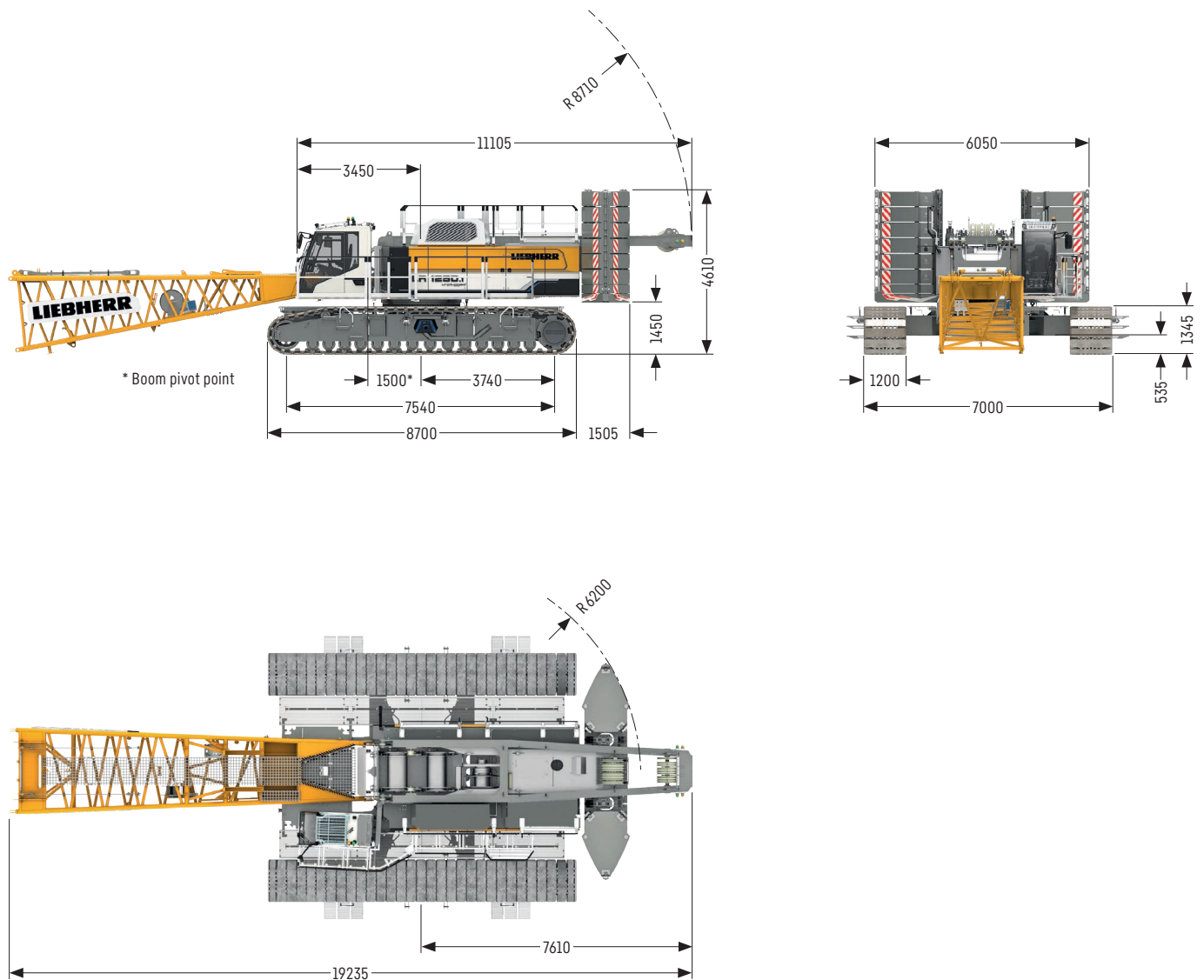
Operator's comfort

Additional access ladder
Additional floodlights
Cabin air conditioner
Cabin tilting device hydraulic
Gear oil level warning
Litronic additional language
Jump-start socket (NATO type)

(S) standard, (O) option

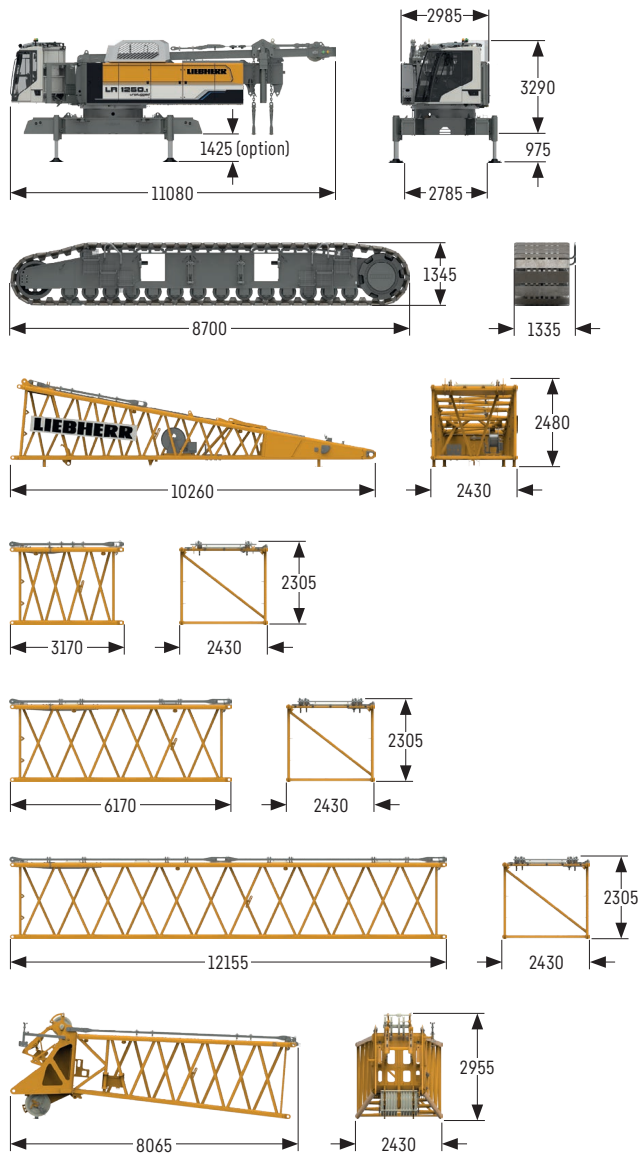
Dimensions

Basic machine with undercarriage



Transport dimensions and weights

Basic machine and main boom 2320.xx



Basic machine

Weight without hoist rope	kg	41700
Weight of hoist ropes	kg/m	3.4
with A-frame 1, winches 1+2 (2x 120kN), without boom foot, without rear counterweight, without carbody counterweight and crawler side frames		

Crawler side frame

Weight flat track pads 1200 mm	kg	19658
--------------------------------	----	-------

Boom foot 10 m (No. 2320.25)

Weight including winch	kg	4827
Weight without winch	kg	3737

Jib section 3 m (No. 2320.23)

Weight including boom pendants	kg	871
Weight including boom and jib pendants	kg	959

Jib section 6 m (No. 2320.20)

Weight including boom pendants	kg	1180
Weight including boom and jib pendants	kg	1333

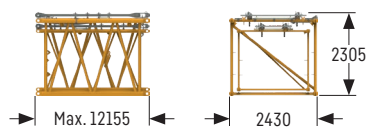
Jib section 12 m (No. 2320.20)

Weight including boom pendants	kg	2109
Weight including boom and jib pendants	kg	2412

Jib head 7 m (No. 2320.23)

Weight including boom pendants	kg	3613
--------------------------------	----	------

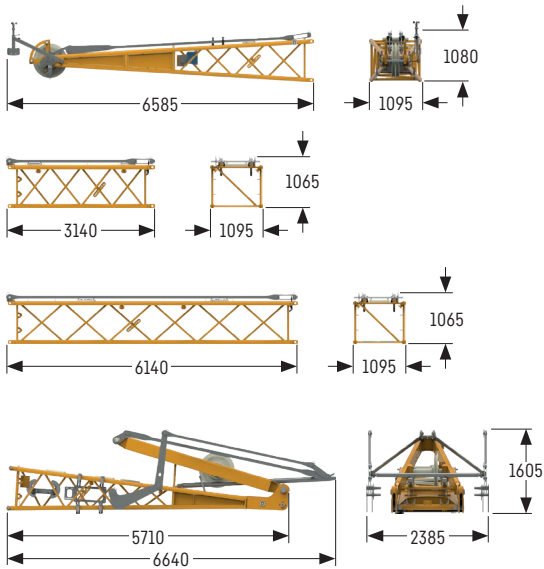
Transport option 2320.xx / 1916.xx



Transport option (No. 2320.xx / 1916.xx)

No. 2320.xx / 1916.xx	m	3/3	6/6	12/12
Weight including pendants	kg	1453	2064	3699

Fixed jib 1008.xx



Jib head 5.5 m (No. 1008.20)

Weight including pendants kg 873

Jib section 3 m (No. 1008.17)

Weight including pendants kg 267

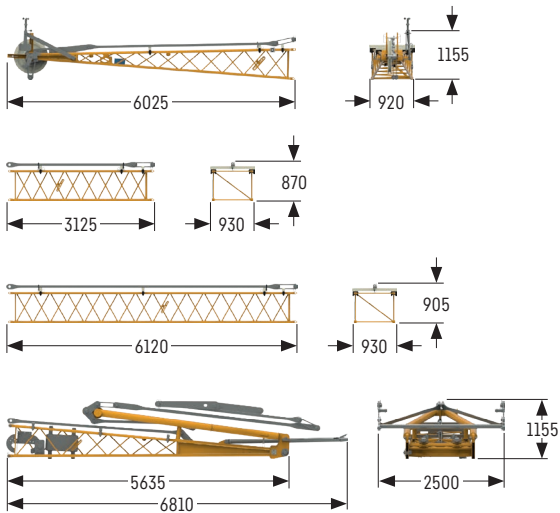
Jib section 6 m (No. 1008.17)

Weight including pendants kg 448

Jib foot 5.5 m with A-frame (No. 1008.20)

Weight including pendants kg 2110

Fixed jib 0806.xx



Jib head 5.5 m (No. 0806.16)

Weight including pendants kg 442

Jib section 3 m (No. 0806.15)

Weight including pendants kg 141

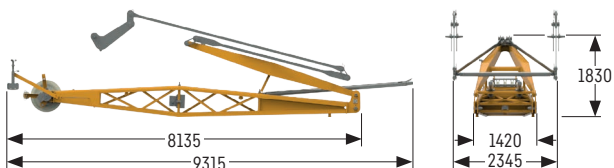
Jib section 6 m (No. 0806.15)

Weight including pendants kg 249

Jib foot 5.5 m with A-frame (No. 0806.16)

Weight including pendants kg 1017

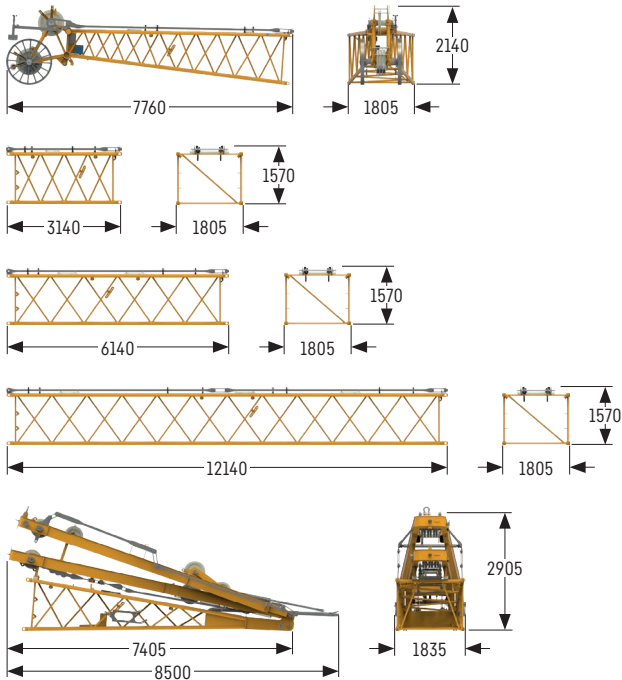
Fixed jib 0906.21



Fixed jib 7 m (No. 0906.21)

Weight including pendants kg 2413

Luffing jib 1713.xx



Jib head 7 m (No. 1713.21)

Weight including pendants	kg 1376
---------------------------	---------

Jib section 3 m (No. 1713.18)

Weight including pendants	kg 394
---------------------------	--------

Jib section 6 m (No. 1713.18)

Weight including pendants	kg 624
---------------------------	--------

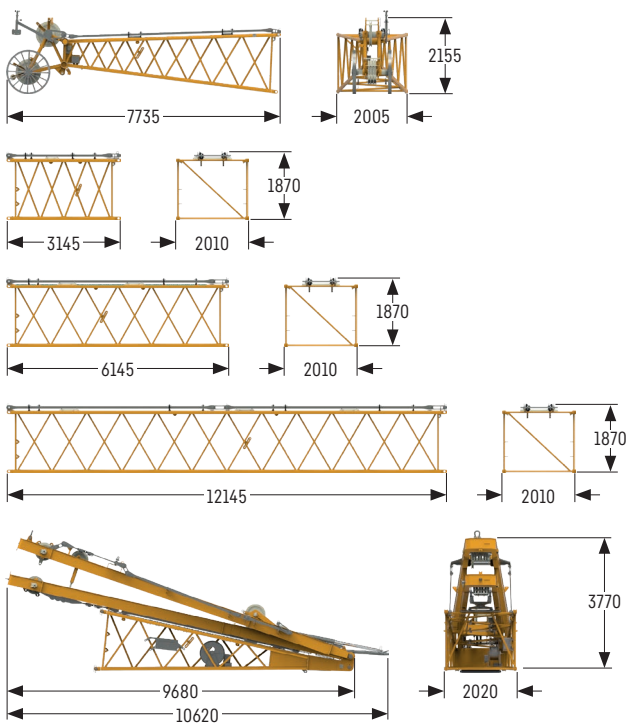
Jib section 12 m (No. 1713.18)

Weight including pendants	kg 1122
---------------------------	---------

Jib foot 7 m with A-frames 2 + 3 (No. 1713.22)

Weight including pendants	kg 4763
---------------------------	---------

Luffing jib 1916.xx



Jib head 7 m (No. 1916.21)

Weight including pendants	kg 1520
---------------------------	---------

Jib section 3 m (No. 1916.18)

Weight including pendants	kg 494
---------------------------	--------

Jib section 6 m (No. 1916.18)

Weight including pendants	kg 731
---------------------------	--------

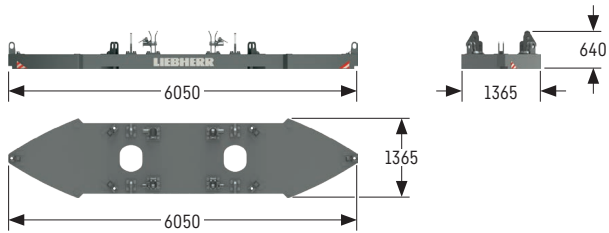
Jib section 12 m (No. 1916.18)

Weight including pendants	kg 1287
---------------------------	---------

Jib foot 7 m with A-frames (No. 1916.22)

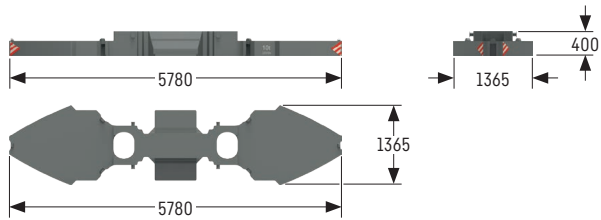
Weight including pendants	kg 6237
---------------------------	---------

Counterweight



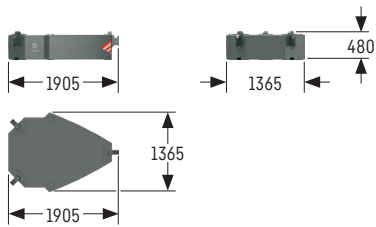
Basic counterweight slab without tie-down (1x)

Weight	kg 12000
--------	----------



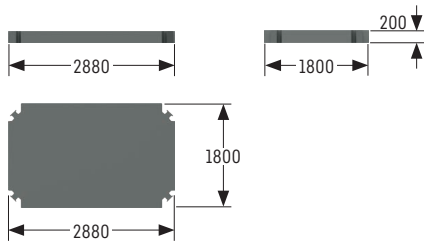
Basic counterweight slab without tie-down (1x)

Weight	kg 10000
--------	----------



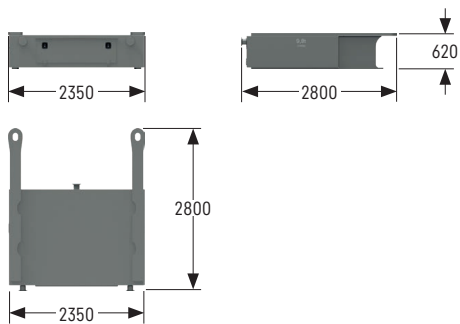
Counterweight slab (12x)

Weight	kg 5000
--------	---------



Carbody counterweight slab (2x)

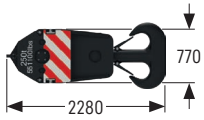
Weight	kg 8300
--------	---------



Carbody counterweight (2x)

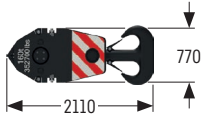
Weight	kg 9800
--------	---------

Pulley block with additional weights / load hooks



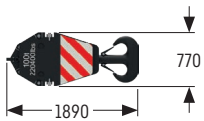
250 t pulley block - 11 pulleys

Width	mm	1250
Weight	kg	2300/3200



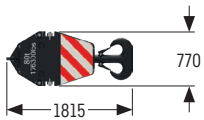
160 t pulley block - 7 pulleys

Width	mm	885
Weight	kg	1500/2250/3000



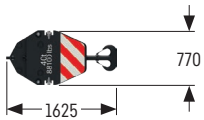
100 t pulley block - 5 pulleys

Width	mm	745
Weight	kg	1300/1800/2300



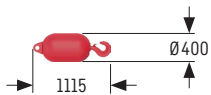
80 t pulley block - 3 pulleys

Width	mm	565
Weight	kg	1000/1500/2000



40 t pulley block - 1 pulley

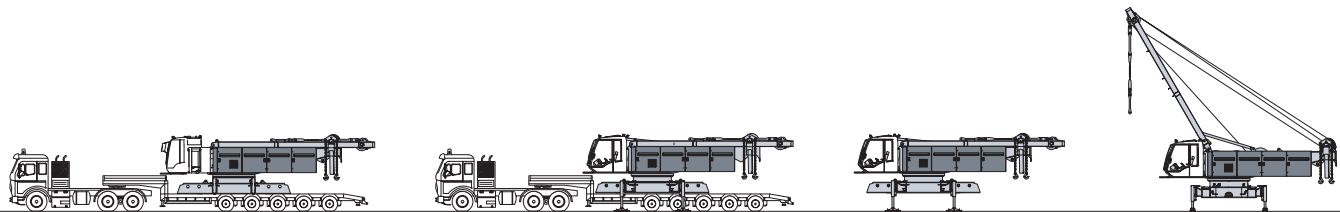
Width	mm	490
Weight	kg	700/1100/1500



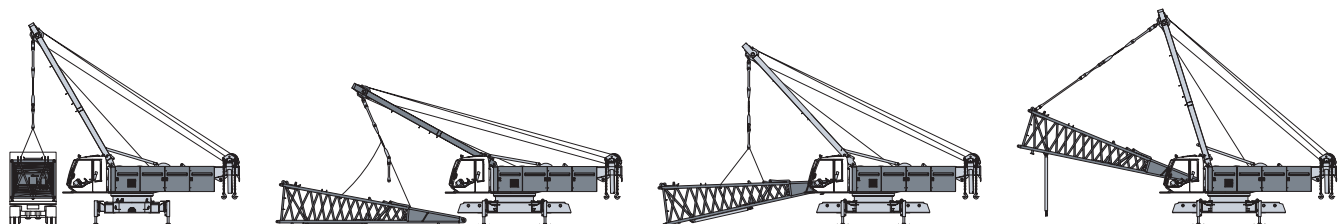
12.5 t load hook

Weight	kg	600
--------	----	-----

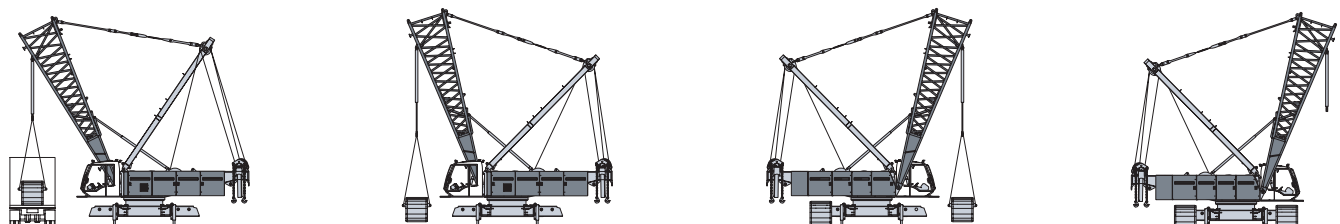
Self-assembly system



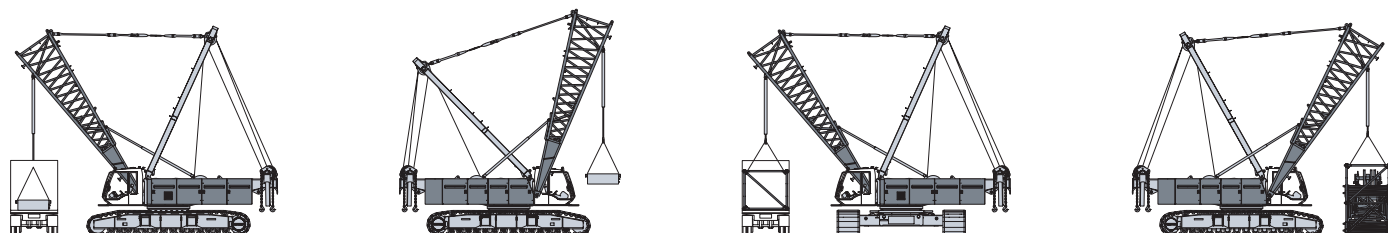
Unloading of basic machine



Unloading and assembly of boom foot

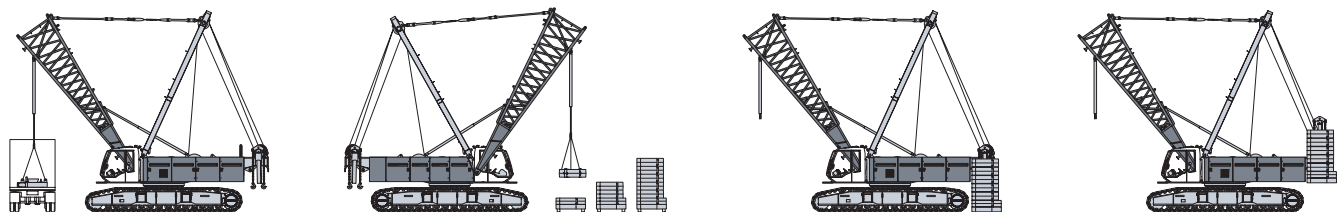


Unloading and assembly of crawler side frames

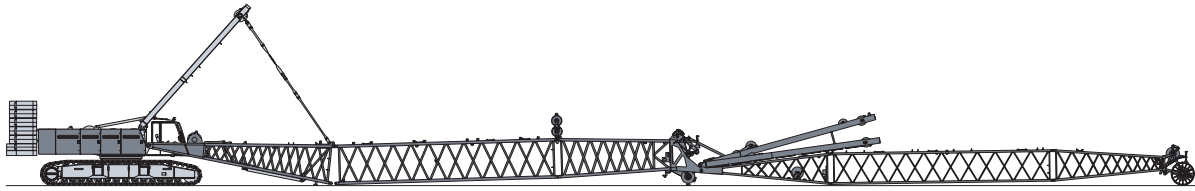


Unloading and assembly of carbody counterweight

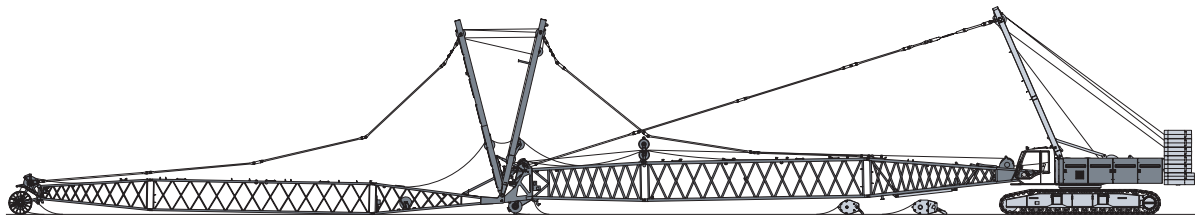
Unloading and assembly of boom



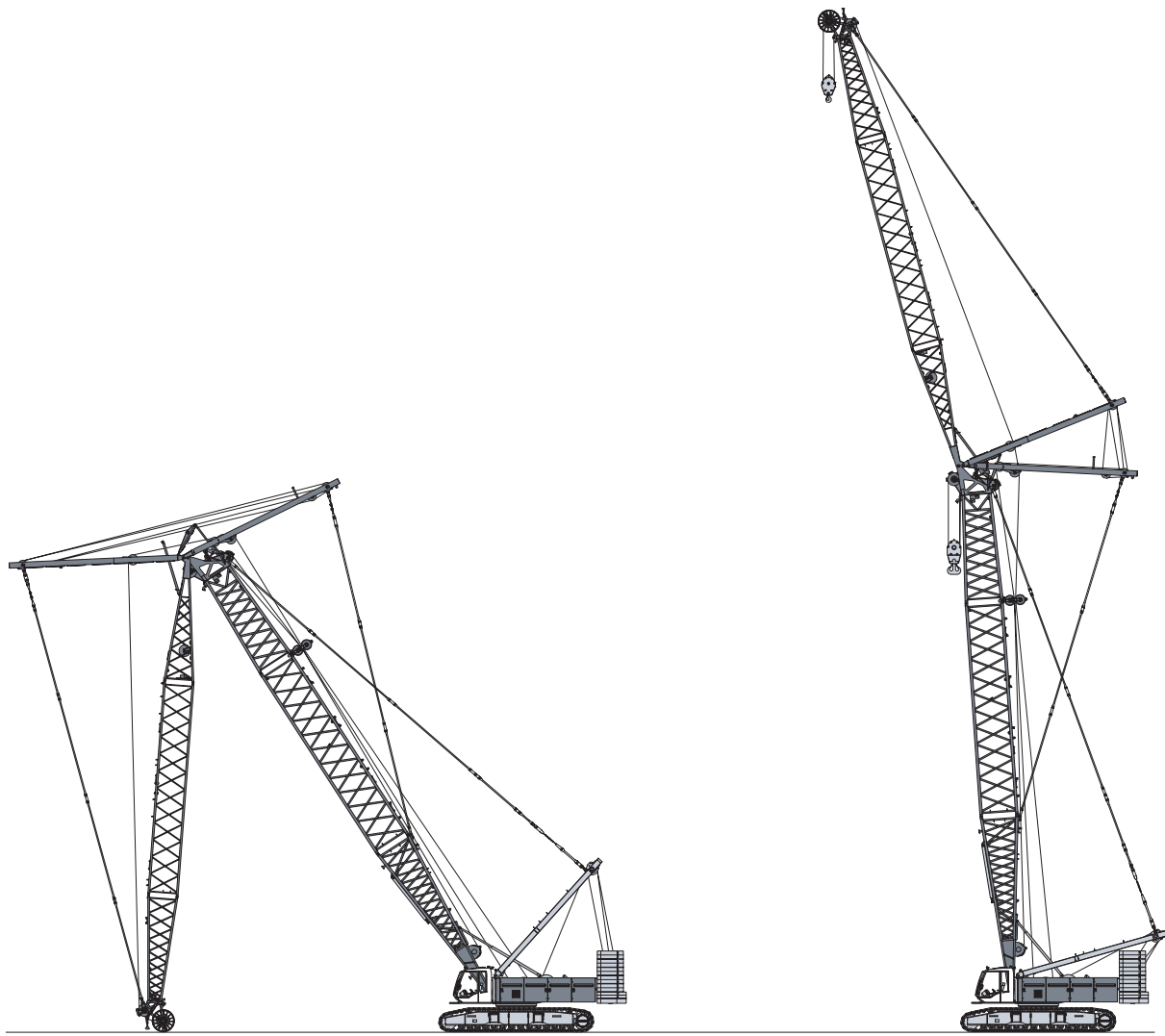
Unloading and assembly of rear counterweight



Assembly of boom

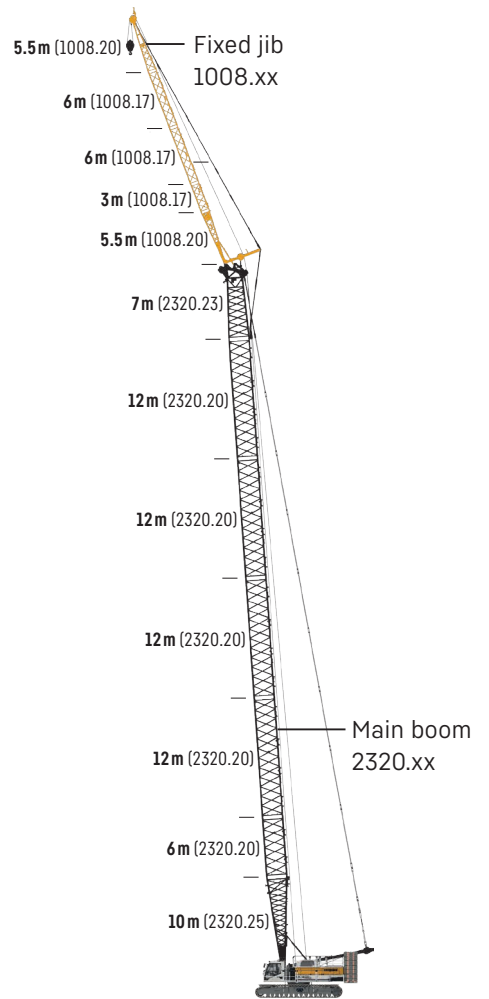
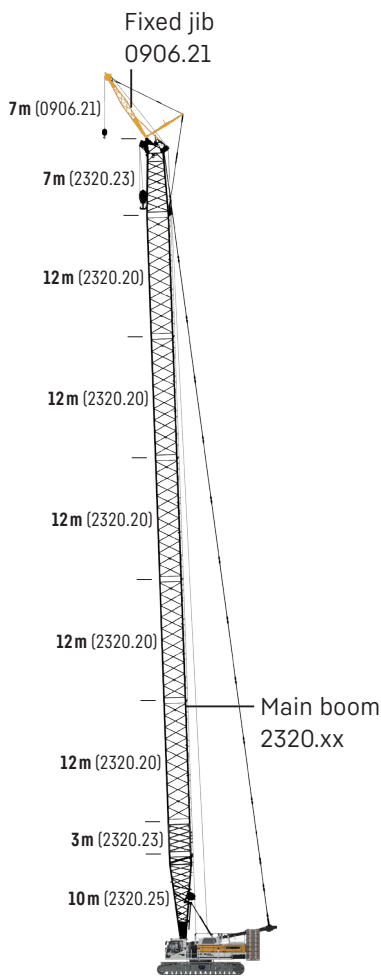
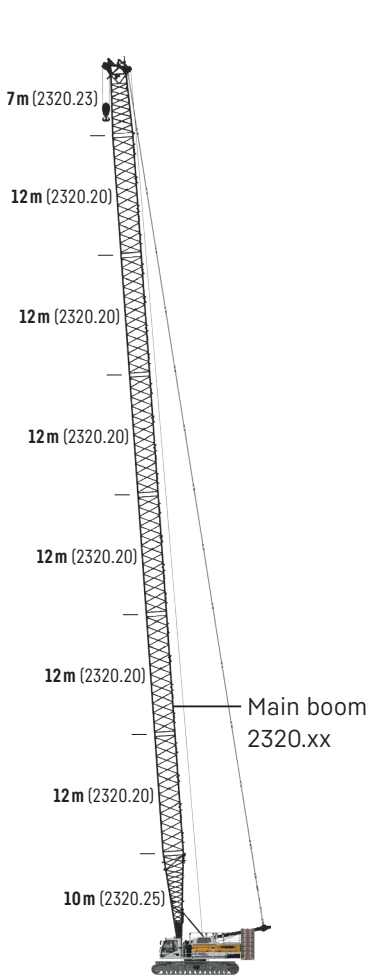


Reeving of hoist and luffing jib ropes



Erecting of main boom and luffing jib

Boom combinations



Main boom

Mode 1

Max. length

2320.xx m 89

Further information on page 20.

Main boom + fixed jib

Mode 3

Max. combination

2320.xx m 80

0906.21 m 7

Total length m 87

Further information on page 42.

Main boom + fixed jib

Mode 3

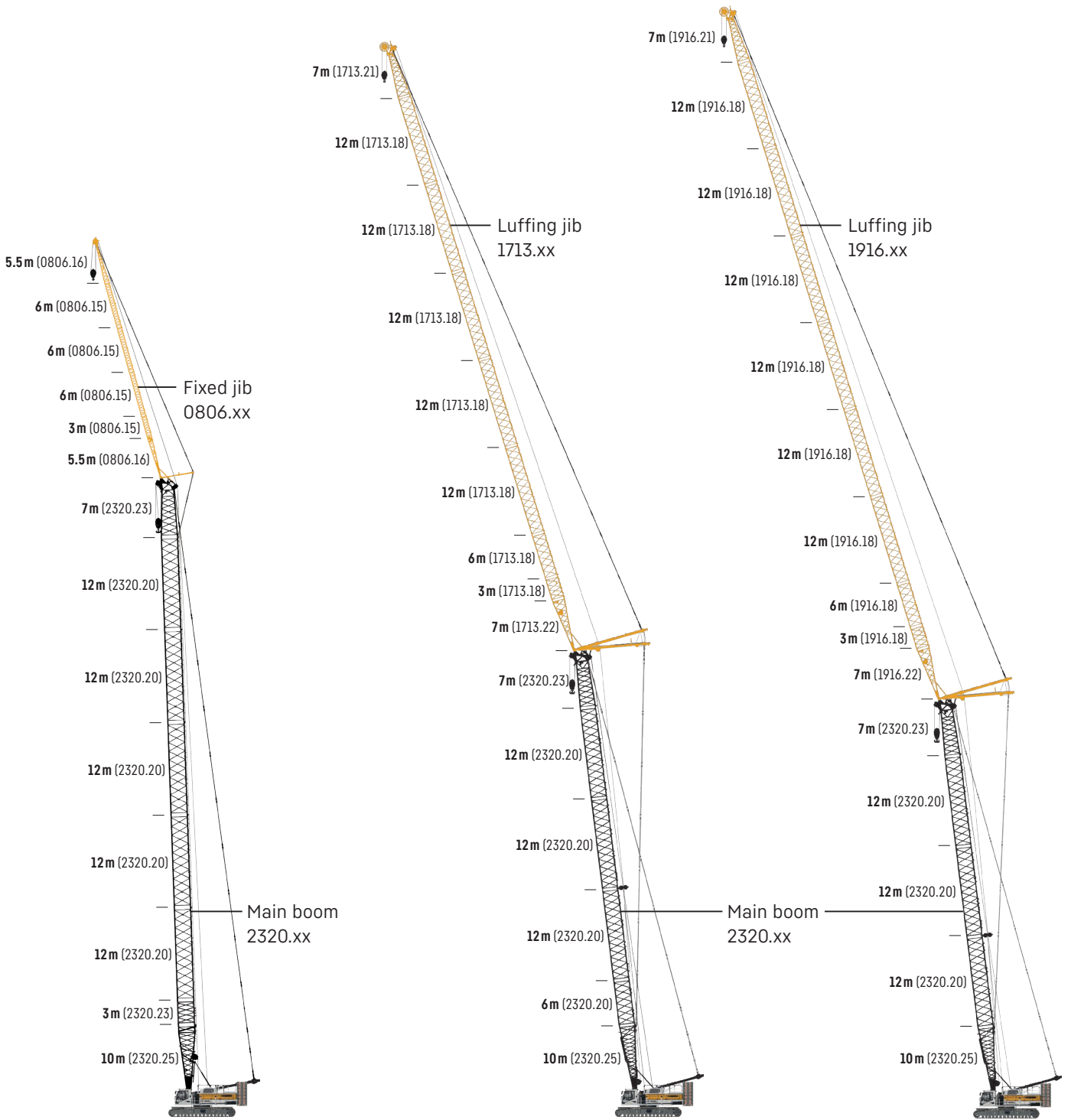
Max. combination

2320.xx m 71 74 77

1008.xx m 26 23 17

Total length m 97 97 94

Further information on page 34.



Main boom + fixed jib

Mode 3			
Max. combination			
2320.xx	m	80	83
0806.xx	m	32	23
Total length	m	112	106

Further information on page 38.

Main boom + luffing jib

Mode 4				
Max. combination				
2320.xx	m	59	62	65
1713.xx	m	83	74	53
Total length	m	142	136	118

Further information on page 22.

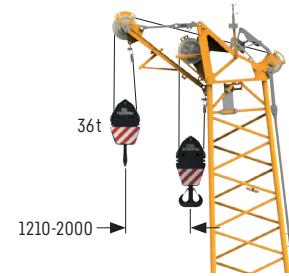
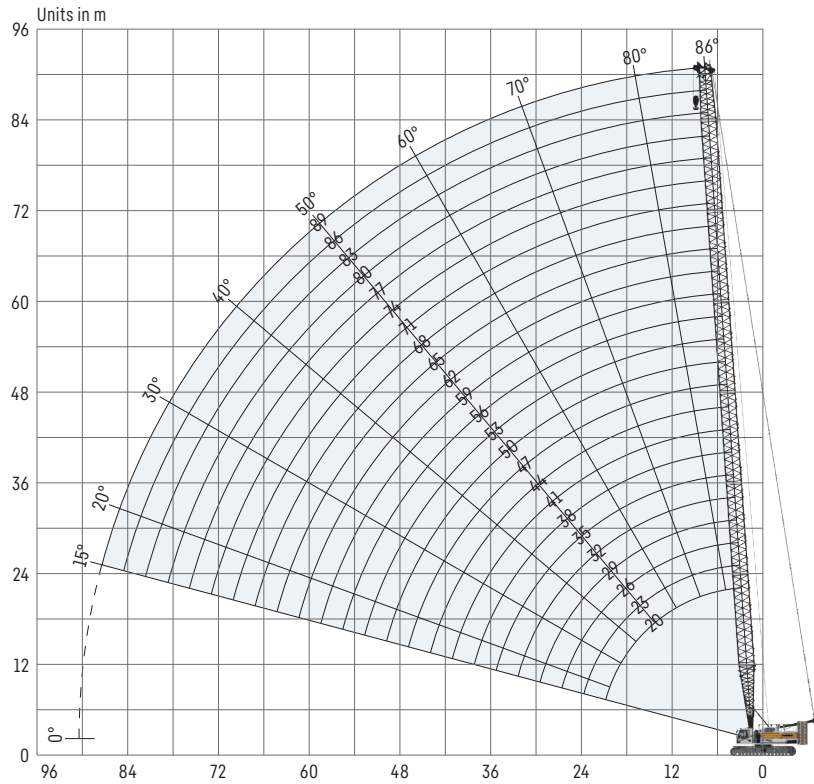
Main boom + luffing jib

Mode 4				
Max. combination				
2320.xx	m	53	56	59
1916.xx	m	95	80	62
Total length	m	148	136	121

Further information on page 28.

Main boom 2320.xx

Boom lengths 20-89 m



Auxiliary jib 36t (option)

The maximum capacity of the auxiliary jib is 36t. The corresponding load chart is programmed in the LML system.

Main boom configuration 2320.xx

Boom section	Amount of boom sections												
Boom foot 10m	1	1	1	1	1	1	1	1	1	1	1	1	1
Boom section 3m	1		1		1		1		1		1		1
Boom section 6m		1	1			1	1			1	1		1
Boom section 12m				1	1	1	1	2	2	2	2	3	
Boom head 7m	1	1	1	1	1	1	1	1	1	1	1	1	1
Boom length [m]	20	23	26	29	32	35	38	41	44	47	50	53	
Auxiliary jib	✓	✓	✓	✓	✓	✓	✓	✓	✓	✓	✓	✓	✓
Boom foot 10m	1	1	1	1	1	1	1	1	1	1	1	1	1
Boom section 3m	1		1		1		1		1		1		1
Boom section 6m		1	1			1	1			1	1		1
Boom section 12m	3	3	3	4	4	4	4	5	5	5	5	6	
Boom head 7m	1	1	1	1	1	1	1	1	1	1	1	1	1
Boom length [m]	56	59	62	65	68	71	74	77	80	83	86	89	
Auxiliary jib	✓	✓	✓	✓	✓	✓	✓	✓	✓	✓	✓	✓	✓

Load capacities with main boom

Load capacities in [t] with 82.3 t rear counterweight and 36 t carbody counterweight

Radius [m]	Boom length [m]											
	20	26	32	38	44	50	56	62	68	74	80	89
6.6							80.2					
7						90.1	80.2	65.4				
8				118.8	100.9	83.7	77.6	64.9	52.0	45.0		
9			118.5	110.2	93.2	78.8	74.8	62.1	50.3	44.7	37.0	26.6
10		110.8	105.2	100.0	87.2	73.6	71.9	60.2	48.3	43.1	36.0	26.6
14	72.0	72.0	72.0	69.2	66.6	59.2	61.7	52.3	41.4	38.1	31.7	24.0
20	44.3	44.5	44.5	44.2	44.0	43.3	41.9	40.5	33.7	32.6	27.0	20.4
22		39.1	39.1	38.9	38.7	38.4	37.6	36.3	32.0	31.1	25.6	19.4
24		34.8	34.8	34.6	34.4	34.1	33.8	32.8	30.2	30.0	24.5	18.5
26		31.1	31.2	31.0	30.8	30.5	30.2	29.8	28.4	27.8	23.5	17.7
32			23.4	23.2	23.0	22.7	22.4	22.1	21.8	21.3	20.2	16.1
38				18.0	17.9	17.6	17.3	16.9	16.6	16.2	15.9	14.8
44					14.2	13.9	13.7	13.3	13.0	12.6	12.3	11.5
46						12.9	12.7	12.3	12.1	11.7	11.3	10.6
48						12.1	11.8	11.5	11.2	10.8	10.4	9.8
50						11.2	11.0	10.6	10.3	9.9	9.6	9.1
55							9.2	8.8	8.5	8.1	7.8	7.3
60								7.3	7.0	6.7	6.3	5.8
65									5.8	5.4	5.1	4.5
70										4.3	4.0	3.5
75											3.0	2.5

Load capacities in [t] with 72.3 t rear counterweight and 36 t carbody counterweight

Radius [m]	Boom length [m]											
	20	26	32	38	44	50	56	62	68	74	80	89
4.5	219.1*	164.3										
5	216.9*	162.8	153.6									
6	194.2	159.0	150.7	150.7	114.8							
7	168.5	155.5	142.2	142.2	107.8	90.1	80.2	65.4				
8	142.0	132.7	124.5	124.5	100.9	83.7	77.6	64.9	52.0	45.0		
9	122.5	115.3	108.9	108.8	93.2	78.8	74.8	62.1	50.3	44.7	37.0	37.0
16	54.9	55.0	54.9	54.9	52.7	50.7	48.9	47.1	38.8	36.2	29.9	29.9
18	46.8	46.8	46.8	46.8	46.1	44.5	42.9	41.4	36.0	34.3	28.5	28.5
20	40.4	40.6	40.6	40.6	40.1	39.5	38.1	36.8	33.7	32.6	27.0	27.0
26		28.3	28.4	28.4	27.9	27.6	27.3	26.9	26.0	25.0	23.5	23.5
28			25.6	25.6	25.2	24.9	24.6	24.2	23.6	22.7	21.8	21.8
32			21.1	21.1	20.8	20.4	20.2	19.8	19.5	19.0	18.2	18.2
34					19.0	18.7	18.4	18.0	17.7	17.3	16.6	16.6
38					16.0	15.7	15.4	15.1	14.7	14.4	13.9	13.9
44					12.6	12.3	12.1	11.8	11.5	11.1	10.7	10.7
46						11.5	11.2	10.9	10.5	10.1	9.8	9.8
50							9.8	9.6	9.2	8.9	8.5	8.2
55								7.9	7.6	7.3	6.9	6.5
60									6.2	5.9	5.5	5.2
65										4.7	4.3	4.0
70											3.3	3.0

* Load capacities with 62.3 t rear counterweight and 36 t carbody counterweight



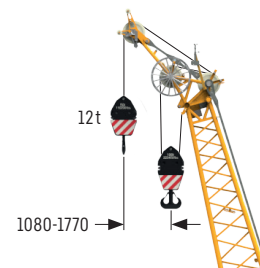
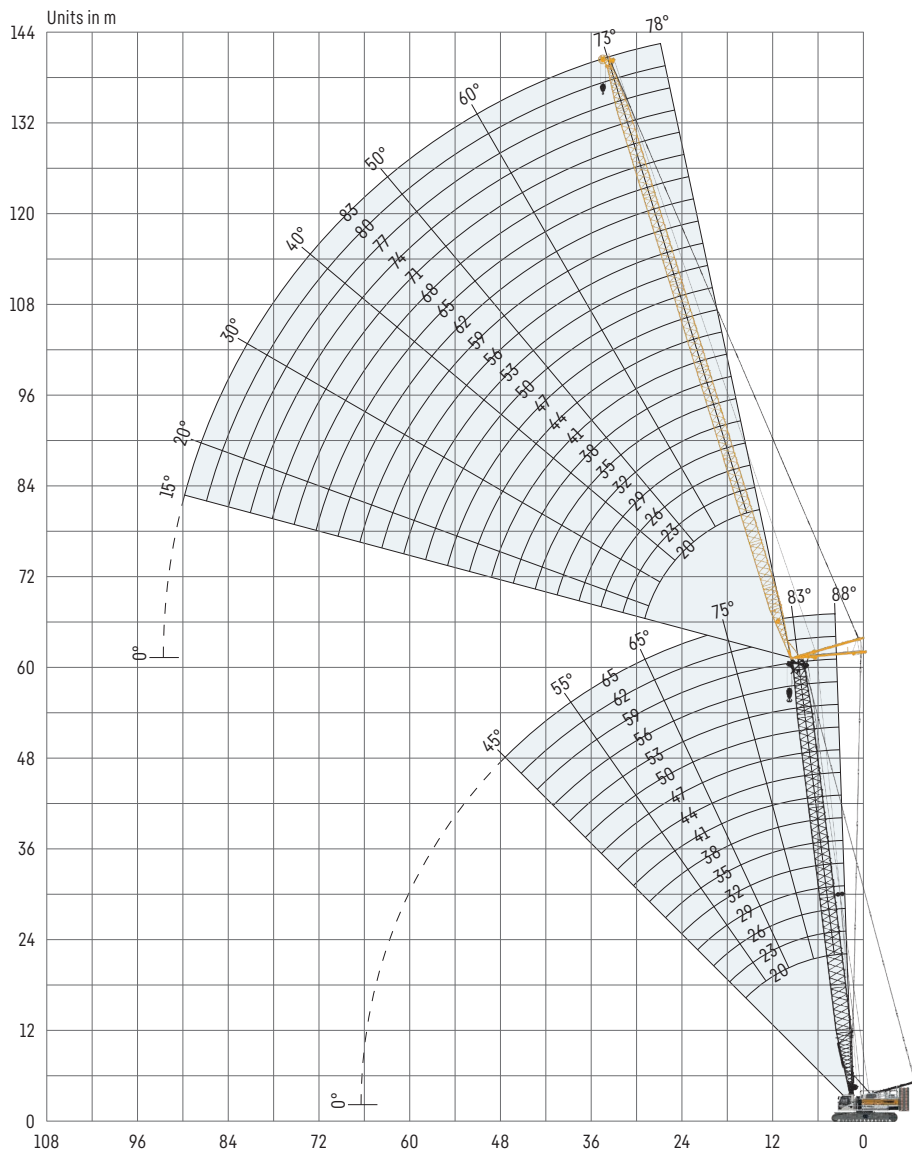
TLT 13197044. Above load charts are for reference only. For actual lift duty please refer to load chart in operator's cabin or manual. Otherwise we recommend you to plan your lifting job using Crane Planner 2.0.

www.liebherr.com/CranePlanner

Crane Planner 2.0

Luffing jib 1713.xx

Jib lengths 20-83 m



Auxiliary jib 12 t (option)
The maximum capacity of the auxiliary jib is 12 t.

Jib configuration 1713.xx

Jib section	Amount of jib sections																					
	1	1	1	1	1	1	1	1	1	1	1	1	1	1	1	1	1	1	1	1		
Jib foot 7m	1	1	1	1	1	1	1	1	1	1	1	1	1	1	1	1	1	1	1	1		
Jib section 3m		1		1		1		1		1		1		1		1		1		1		
Jib section 6m	1	1			1	1			1	1			1	1			1	1		1		
Jib section 12m			1	1	1	1	2	2	2	2	3	3	3	3	4	4	4	4	5	5	5	5
Jib head 7m	1	1	1	1	1	1	1	1	1	1	1	1	1	1	1	1	1	1	1	1	1	1
Jib length [m]	20	23	26	29	32	35	38	41	44	47	50	53	56	59	62	65	68	71	74	77	80	83
Auxiliary jib	✓	✓	✓	✓	✓	✓	✓	✓	✓	✓	✓	✓	✓	✓	✓	✓	✓	✓	✓	✓	✓	✓

For main boom configuration please refer to the table on page 20.

Load capacities with luffing jib

Load capacities in [t] with 20m main boom 88°

Radius [m]	Jib length [m]					
	20	32	44	56	68	83
11		46.1				
13		37.8	30.3			
14	37.9	34.9	29.7			
16	32.1	29.4	26.8	18.8		
18	27.6	25.2	22.8	17.9	12.0	
22	19.7	19.7	18.0	15.7	11.0	6.9
34		11.1	10.6	9.4	8.1	5.7
40			8.6	7.6	6.6	5.0
46			6.9	6.2	5.3	4.3
55				4.7	3.9	3.0
60					3.4	2.4
65					2.8	

82.3t rear counterweight and 36t carbody counterweight

Load capacities in [t] with 29m main boom 88°

Radius [m]	Jib length [m]					
	20	32	44	56	68	83
11	53.6	43.3				
14	40.4	35.5	27.7			
16	34.2	30.9	26.1	17.6		
20	25.6	23.6	21.4	16.1	11.0	
22	22.2	20.7	18.9	15.3	10.4	6.4
28		15.6	14.1	12.4	9.3	6.0
34		12.2	11.3	9.9	8.2	5.5
40			9.1	8.0	6.9	4.9
46			7.4	6.6	5.6	4.3
55				5.1	4.2	3.2
60					3.6	2.7
65					3.0	2.2

82.3t rear counterweight and 36t carbody counterweight

Load capacities in [t] with 41m main boom 88°

Radius [m]	Jib length [m]					
	20	32	44	56	68	83
8.6	52.2					
11	46.1	34.9				
14	38.8	31.4	23.7			
16	33.5	29.0	22.6	15.6		
20	26.3	23.3	20.0	14.7	9.8	
22	23.2	20.8	18.3	13.9	9.5	5.5
34		12.5	11.5	10.1	7.9	5.1
40			9.4	8.2	6.9	4.6
46			7.7	6.8	5.7	4.2
55				5.2	4.3	3.3
65					3.2	2.4
70					2.4	

82.3t rear counterweight and 36t carbody counterweight

Load capacities in [t] with 50m main boom 88°

Radius [m]	Jib length [m]					
	20	32	44	56	68	83
8.9	39.8					
12	34.0	27.4				
14	30.6	25.3	19.3			
18	25.4	21.2	17.1	13.0		
20	23.4	19.8	16.0	12.2	8.7	
22	21.9	18.2	14.9	11.5	8.5	4.8
34		12.7	11.2	8.9	6.9	4.6
40			9.3	8.0	6.2	4.2
46			7.7	6.7	5.6	3.8
55				5.1	4.4	3.1
65					3.2	2.3
70					2.5	

82.3t rear counterweight and 36t carbody counterweight

Load capacities in [t] with 62m main boom 88°

Radius [m]	Jib length [m]					
	20	32	44	56	62	74
9.3	29.8					
12	26.6	20.9				
16	22.3	18.2	14.2			
18	20.7	17.0	13.3	10.5		
20	19.1	15.9	12.5	9.9	8.6	
24	17.0	13.9	11.1	8.8	7.8	5.5
34		11.6	9.1	7.2	6.4	4.7
36			8.8	7.0	6.2	4.5
46			7.4	5.9	5.2	3.7
55				5.0	4.5	3.1
60					4.1	2.8
70						2.3

82.3t rear counterweight and 36t carbody counterweight

TLT 13197044. Above load charts are for reference only. For actual lift duty please refer to load chart in operator's cabin or manual. Otherwise we recommend you to plan your lifting job using Crane Planner 2.0.



www.liebherr.com/CranePlanner

Crane Planner 2.0

Load capacities with luffing jib

Load capacities in [t] with 20m main boom 83°

Radius [m]	Jib length [m]					
	20	32	44	56	68	83
11.3	59.9					
16	36.9	33.5				
20	27.2	24.5	22.1			
22	23.8	26.2	19.6	16.3		
24	20.4	19.3	17.4	15.7		
26		17.6	15.8	14.3	10.2	
30		14.7	13.1	11.8	9.7	6.1
36		11.5	10.5	9.3	8.0	5.7
46			7.5	6.6	5.6	4.6
55				5.1	4.2	3.1
65					3.1	2.1
70					2.5	

82.3t rear counterweight and 36t carbody counterweight

Load capacities in [t] with 29m main boom 83°

Radius [m]	Jib length [m]					
	20	32	44	56	68	83
12.4	56.3					
16	42.7					
20	30.7	27.5	24.0			
24	23.6	21.6	19.5	15.3		
28		17.4	15.9	14.1	9.7	
32		14.7	13.2	11.9	9.1	5.8
36		12.5	11.5	10.2	8.3	5.5
42			9.3	8.2	7.0	5.0
48			7.6	6.8	5.7	4.5
55				5.5	4.6	3.5
60				4.7	3.9	3.0
70					2.8	2.0

82.3t rear counterweight and 36t carbody counterweight

Load capacities in [t] with 41m main boom 83°

Radius [m]	Jib length [m]					
	20	32	44	56	68	83
13.8	42.7					
18	34.9	29.0				
22	27.8	24.0	20.3			
26	22.7	20.1	17.6	13.6		
28		18.7	16.4	13.2		
34		14.5	13.0	11.4	8.4	5.3
38		12.3	11.3	9.9	7.9	5.0
44			9.3	8.1	6.8	4.6
50			7.6	6.7	5.6	4.1
60				5.0	4.1	3.2
65					3.6	2.7
70					3.0	2.2

82.3t rear counterweight and 36t carbody counterweight

Load capacities in [t] with 50m main boom 83°

Radius [m]	Jib length [m]					
	20	32	44	56	68	83
14.9	31.8					
20	25.2	21.4				
22	23.3	19.7	15.7			
26	20.5	17.2	14.3	11.1		
28	19.5	16.4	13.6	10.7		
30		15.7	13.1	10.4	8.0	
34		14.4	12.0	9.6	7.6	4.7
38		12.8	11.1	9.0	7.0	4.6
50			7.9	6.7	5.6	3.9
55				5.9	5.0	3.5
60				5.1	4.3	3.2
70					3.2	2.3

82.3t rear counterweight and 36t carbody counterweight

Load capacities in [t] with 62m main boom 83°

Radius [m]	Jib length [m]					
	20	32	44	56	62	65
16.4	24.4					
20	21.2					
24	18.5	15.3	12.0			
28	16.9	13.9	11.1	8.9		
30		13.3	10.6	8.6	7.6	6.9
36		12.0	9.6	7.7	6.8	6.3
40		11.3	9.0	7.2	6.4	5.9
50			7.7	6.1	5.4	4.9
55				5.7	4.9	4.5
60				5.1	4.6	4.2
65					4.1	3.9
70					3.3	3.4

82.3t rear counterweight and 36t carbody counterweight

TLT 13197044. Above load charts are for reference only. For actual lift duty please refer to load chart in operator's cabin or manual. Otherwise we recommend you to plan your lifting job using Crane Planner 2.0.



www.liebherr.com/CranePlanner

Crane Planner 2.0

Load capacities with luffing jib

Load capacities in [t] with 20m main boom 75°

Radius [m]	Jib length [m]					
	20	32	44	56	68	83
18	39.5					
22	28.8	25.5				
26	22.3	20.2				
28		18.0	16.4			
32		14.9	13.6	11.7		
36		12.8	11.6	10.2		
38		12.0	10.7	9.5	8.1	
44			8.6	7.7	6.6	5.1
50			7.2	6.2	5.2	4.2
60				4.7	3.7	2.8
65					3.2	2.3
70					2.7	

82.3t rear counterweight and 36t carbody counterweight

Load capacities in [t] with 29m main boom 75°

Radius [m]	Jib length [m]					
	20	32	44	56	68	83
19	44.8					
24	30.6					
28	23.9	21.4				
30		18.9	17.2			
36		14.4	13.1	11.9		
40		12.5	11.4	10.1	8.4	
46			9.1	8.1	7.0	4.9
50			8.2	7.1	6.0	4.7
55				6.0	5.1	4.1
60				5.3	4.3	3.3
70					3.2	2.3
75					2.7	

82.3t rear counterweight and 36t carbody counterweight

Load capacities in [t] with 41m main boom 75°

Radius [m]	Jib length [m]					
	20	32	44	56	68	83
22.1	31.8					
28	25.8	22.7				
32		19.2				
34		18.0	16.0			
36		16.5	14.8			
38		15.1	13.7	11.8		
42		13.1	11.9	10.4		
44		12.2	11.0	9.7	7.8	
50			9.0	7.9	6.8	4.5
55			7.8	6.7	5.7	4.2
65				5.1	4.1	3.2
75					3.1	2.2

82.3t rear counterweight and 36t carbody counterweight

Load capacities in [t] with 50m main boom 75°

Radius [m]	Jib length [m]					
	20	32	44	56	68	83
24.4	22.7					
30	19.6	16.8				
34	17.8	15.3				
36		14.7	12.4			
40		13.4	11.4	9.0		
46		12.1	10.2	8.3	6.5	
48			9.7	8.0	6.5	
55			8.3	6.9	5.7	3.8
60				6.0	5.2	3.6
70				4.3	3.8	2.9
75					3.3	2.4
80					2.8	

82.3t rear counterweight and 36t carbody counterweight

Load capacities in [t] with 62m main boom 75°

Radius [m]	Jib length [m]					
	20	32	44	56	62	65
27.5	19.0					
32	17.2					
34	16.6	14.0				
38	15.3	12.9	10.3			
42		12.0	9.8			
44		11.6	9.4	7.7		
46		11.2	9.1	7.5	6.5	
48		10.9	8.9	7.3	6.4	5.9
60			7.4	5.9	5.3	4.8
70				4.9	4.4	4.0
75					3.9	3.7
80						3.2

82.3t rear counterweight and 36t carbody counterweight

TLT 13197044. Above load charts are for reference only. For actual lift duty please refer to load chart in operator's cabin or manual. Otherwise we recommend you to plan your lifting job using Crane Planner 2.0.



www.liebherr.com/CranePlanner

Crane Planner 2.0

Load capacities with luffing jib

Load capacities in [t] with 20m main boom 65°

Radius [m]	Jib length [m]					
	20	32	44	56	68	83
23	33.5					
30	21.2	18.9				
36		14.4				
38		13.4	12.1			
42		11.6	10.3			
44			9.5	8.3		
50			8.0	6.9		
55				5.8	4.9	
60				5.1	4.2	3.0
65				4.4	3.5	2.5
70					3.0	2.1
75					2.6	

82.3t rear counterweight and 36t carbody counterweight

Load capacities in [t] with 32m main boom 65°

Radius [m]	Jib length [m]					
	20	32	44	56	68	83
30	25.6					
34	22.0					
36		18.9				
42		14.4	12.7			
46		12.6	11.2			
50			9.7	8.6		
55			8.4	7.3		
60				6.2	5.2	
65				5.5	4.4	3.3
70				4.8	3.8	2.8
75					3.3	2.3
80					2.9	

82.3t rear counterweight and 36t carbody counterweight

Load capacities in [t] with 44m main boom 65°

Radius [m]	Jib length [m]					
	20	32	44	56	68	83
33	20.9					
34	20.2					
40	16.5	15.8				
48		12.7	12.1			
50		12.0	11.4			
55			9.7	8.5		
60			8.5	7.3		
65				6.3	5.2	
70				5.5	4.5	3.2
75				4.8	3.8	2.9
80					3.3	2.4
85					2.9	

82.3t rear counterweight and 36t carbody counterweight

Load capacities in [t] with 56m main boom 65°

Radius [m]	Jib length [m]					
	20	32	44	56	68	83
38.1	15.6					
46	12.1	11.7				
48		11.1				
50		10.5				
55		9.3	8.5			
60			7.6	6.7		
65			6.8	6.0		
70				5.4	4.5	
75				4.8	4.0	2.7
80				4.3	3.5	2.4
85					3.1	2.0
90					2.7	

82.3t rear counterweight and 36t carbody counterweight

Load capacities in [t] with 62m main boom 65°

Radius [m]	Jib length [m]					
	20	32	44	56	62	65
40.6	13.1					
44	12.1					
46	11.5					
48	10.9	9.9				
55		8.5	7.5			
60		7.5	6.7			
65			6.0	5.1		
70			5.4	4.5	4.1	3.8
75				4.0	3.6	3.3
80				3.6	3.2	2.9
85					2.8	2.5
90						2.2

82.3t rear counterweight and 36t carbody counterweight

TLT 13197044. Above load charts are for reference only. For actual lift duty please refer to load chart in operator's cabin or manual. Otherwise we recommend you to plan your lifting job using Crane Planner 2.0.

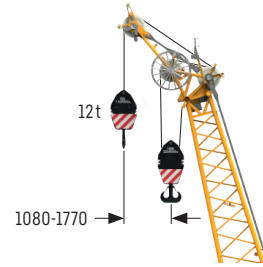
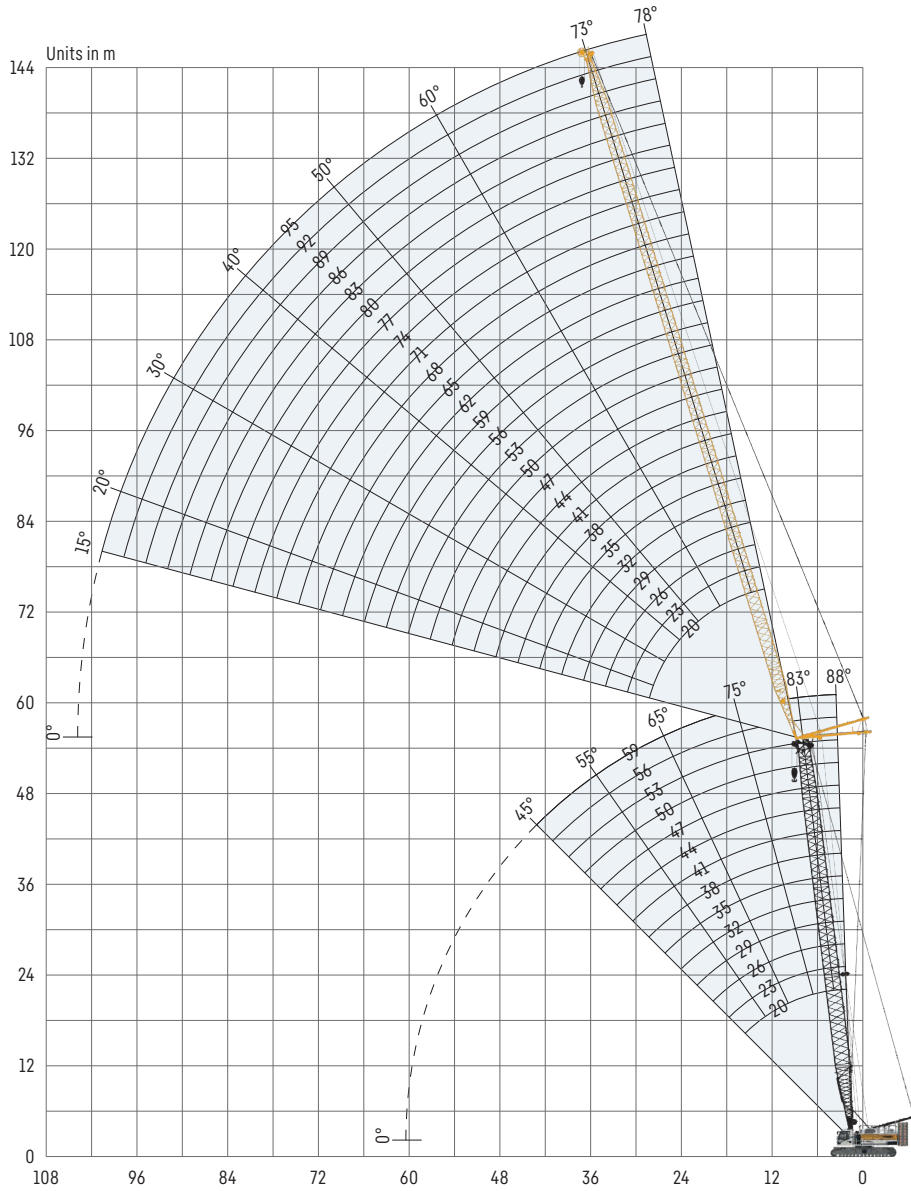


www.liebherr.com/CranePlanner

Crane Planner 2.0

Luffing jib 1916.xx

Jib lengths 20-95 m



Auxiliary jib 12 t (option)
The maximum capacity of the auxiliary jib is 12 t.

Jib configuration 1916.xx

Jib section	Amount of jib sections																			
Boom foot 7m	1	1	1	1	1	1	1	1	1	1	1	1	1	1	1	1	1	1	1	1
Jib section 3m		1		1		1		1		1		1		1		1		1		1
Jib section 6m	1	1			1	1			1	1			1	1			1	1		
Jib section 12m			1	1	1	1	2	2	2	2	3	3	3	3	4	4	4	4	5	5
Jib head 7m	1	1	1	1	1	1	1	1	1	1	1	1	1	1	1	1	1	1	1	1
Jib length [m]	20	23	26	29	32	35	38	41	44	47	50	53	56	59	62	65	68	71	74	
Auxiliary jib	✓	✓	✓	✓	✓	✓	✓	✓	✓	✓	✓	✓	✓	✓	✓	✓	✓	✓	✓	✓

For main boom configuration please refer to the table on page 20.

Load capacities with luffing jib

Load capacities in [t] with 20m main boom 88°

Radius [m]	Jib length [m]					
	20	35	50	65	80	95
11		49.6				
13	64.8	45.9				
16	47.7	40.2	28.5			
18	39.9	34.6	27.0	16.7		
22	28.4	26.9	23.7	15.4	9.7	
24		23.7	21.3	14.7	9.4	5.3
36		14.4	12.9	11.5	8.2	4.9
42			10.7	9.1	7.6	4.6
50			8.4	7.1	5.9	4.0
65				4.5	3.6	2.6
70					3.1	2.0
75					2.5	

82.3t rear counterweight and 36t carbody counterweight

Load capacities in [t] with 29m main boom 88°

Radius [m]	Jib length [m]					
	20	35	50	65	80	95
10	58.3					
12	50.2	40.2				
16	38.9	32.6	24.1			
18	35.0	29.4	23.1	13.8		
22	29.1	24.7	20.5	13.3	8.2	
24		22.7	18.9	13.0	8.1	4.4
36		16.3	14.1	11.0	7.5	4.3
42			12.3	9.8	7.1	4.1
50			10.6	8.4	6.4	3.7
65				6.2	4.9	2.9
75					3.9	2.3
80					3.3	2.0

82.3t rear counterweight and 36t carbody counterweight

Load capacities in [t] with 41m main boom 88°

Radius [m]	Jib length [m]					
	20	35	50	65	80	95
8.6	55.5					
12	46.8	34.6				
16	37.7	29.7	21.8			
18	34.3	27.5	20.8	12.6		
20	31.2	25.5	19.5	12.4		
22	28.5	23.8	18.5	12.2	7.5	
26		20.8	16.8	11.8	7.4	4.0
38		12.1	13.1	10.1	7.0	4.0
50			10.0	8.0	6.1	3.6
65				5.8	4.5	2.8
70					3.9	2.3
80					3.0	

82.3t rear counterweight and 36t carbody counterweight

Load capacities in [t] with 50m main boom 88°

Radius [m]	Jib length [m]					
	20	35	50	65	80	95
8.9	42.1					
12	36.5	27.2				
16	30.2	23.6	17.5			
20	25.7	20.3	15.2	10.8		
22	24.1	19.1	14.4	10.5	6.4	
24		17.9	13.6	10.2	6.4	
26		16.9	13.0	9.8	6.3	3.3
38		13.2	10.6	8.1	5.7	3.3
42			9.8	7.6	5.4	3.1
50			8.5	6.7	4.7	2.8
65				5.0	3.5	2.0
80					2.4	

82.3t rear counterweight and 36t carbody counterweight

Load capacities in [t] with 56m main boom 88°

Radius [m]	Jib length [m]					
	20	35	50	65	71	74
9.1	36.0					
13	30.2	22.9				
16	26.7	20.3	15.2			
20	22.9	17.5	13.4	9.8	8.1	
22	21.6	16.4	12.6	9.5	8.0	7.3
24	12.1	15.4	12.0	9.2	7.8	7.1
30		13.5	10.7	8.3	7.4	6.9
38		11.9	9.4	7.3	6.6	6.1
50			7.7	6.0	5.5	5.1
65				4.6	4.0	3.7
70					3.6	3.3
75						2.9

82.3t rear counterweight and 36t carbody counterweight

TLT 13197044. Above load charts are for reference only. For actual lift duty please refer to load chart in operator's cabin or manual. Otherwise we recommend you to plan your lifting job using Crane Planner 2.0.



www.liebherr.com/CranePlanner

Crane Planner 2.0

Load capacities with luffing jib

Load capacities in [t] with 20m main boom 83°

Radius [m]	Jib length [m]					
	20	35	50	65	80	95
11.3	70.7					
16	58.3	42.7				
22	34.0	32.7	25.0			
24	28.8	28.0	23.9			
26		24.4	22.4	14.6		
30		20.1	20.1	13.9	9.0	
34		17.2	16.2	13.2	8.6	5.1
38		14.6	13.8	12.1	8.2	4.9
50			9.3	8.3	6.8	4.2
65				5.1	4.4	3.1
75					3.1	2.0
80					2.4	

82.3t rear counterweight and 36t carbody counterweight

Load capacities in [t] with 29m main boom 83°

Radius [m]	Jib length [m]					
	20	35	50	65	80	95
12.4	57.7					
18	38.8	34.1				
22	31.0	27.2	23.2			
24	28.5	25.0	21.2			
26		23.0	19.8	13.7		
30		20.1	17.6	13.2		
36		16.9	14.8	12.0	8.0	4.7
40		12.1	13.4	11.0	7.7	4.5
50			10.7	8.9	6.8	4.0
65				6.6	5.2	3.2
80					3.9	2.3
85						2.1

82.3t rear counterweight and 36t carbody counterweight

Load capacities in [t] with 41m main boom 83°

Radius [m]	Jib length [m]					
	20	35	50	65	80	95
13.8	45.6					
20	34.8	27.6				
24	29.5	24.1	18.8			
26	27.9	22.9	18.0			
28		21.8	17.4	11.9		
32		19.8	16.4	11.7	7.3	
36		17.9	15.1	11.2	7.3	4.0
40		16.4	14.2	10.7	7.1	4.0
55			10.6	8.4	6.3	3.5
70				6.4	5.0	2.7
80					4.1	2.2
85					3.4	

82.3t rear counterweight and 36t carbody counterweight

Load capacities in [t] with 50m main boom 83°

Radius [m]	Jib length [m]					
	20	35	50	65	80	95
14.9	34.4					
20	27.6	22.2				
24	23.9	19.3	14.4			
28	21.8	17.4	13.5			
30		16.8	13.0	9.9		
34		15.6	12.2	9.4	6.3	
38		14.6	11.4	8.8	6.2	3.2
42		13.7	10.8	8.3	5.9	3.2
55			8.9	6.8	4.8	2.9
70				5.5	3.8	2.1
80					3.2	
85					2.9	

82.3t rear counterweight and 36t carbody counterweight

Load capacities in [t] with 56m main boom 83°

Radius [m]	Jib length [m]					
	20	35	50	65	71	74
15.7	29.5					
22	23.1	17.9				
26	20.6	15.9	12.4			
28	19.9	15.2	12.0			
30		14.6	11.6	9.0		
32		14.1	11.2	8.8	7.6	7.0
42		12.0	9.6	7.5	6.8	6.4
46			9.0	7.1	6.4	6.1
55			8.0	6.1	5.6	5.3
70				4.9	4.3	4.1
75					4.0	3.7
80						3.4

82.3t rear counterweight and 36t carbody counterweight

TLT 13197044. Above load charts are for reference only. For actual lift duty please refer to load chart in operator's cabin or manual. Otherwise we recommend you to plan your lifting job using Crane Planner 2.0.



www.liebherr.com/CranePlanner

Crane Planner 2.0

Load capacities with luffing jib

Load capacities in [t] with 20m main boom 75°

Radius [m]	Jib length [m]					
	20	35	50	65	80	95
18	52.9					
24	36.9	34.4				
26	32.2	32.3				
30		25.3	22.6			
36		18.4	19.4	13.2		
42		12.1	14.8	12.4	8.0	
50			10.9	10.9	7.4	4.3
55			9.2	8.8	7.0	4.0
60				7.1	6.6	3.7
70				5.1	4.6	3.0
80					3.2	2.4
85					2.4	2.1

82.3t rear counterweight and 36t carbody counterweight

Load capacities in [t] with 29m main boom 75°

Radius [m]	Jib length [m]					
	20	35	50	65	80	95
19	45.5					
26	30.5	27.8				
28	28.2	25.5				
32		21.9	19.5			
36		19.2	17.4			
38		18.0	16.4	12.4		
44		15.3	13.9	11.7		
46			13.2	11.1	7.5	
55			10.7	9.1	6.9	3.9
70				6.6	5.5	3.1
85					4.0	2.3
90						2.0

82.3t rear counterweight and 36t carbody counterweight

Load capacities in [t] with 41m main boom 75°

Radius [m]	Jib length [m]					
	20	35	50	65	80	95
22.1	34.2					
30	26.2	23.0				
32		22.0				
36		20.4	16.8			
42		16.8	15.3	11.0		
46		14.9	14.3	10.8		
48			13.5	10.6	6.8	
55			11.3	9.9	6.5	3.7
60			10.0	9.1	6.3	3.5
75				6.4	5.5	2.8
85					4.4	2.3
90					3.9	2.1

82.3t rear counterweight and 36t carbody counterweight

Load capacities in [t] with 50m main boom 75°

Radius [m]	Jib length [m]					
	20	35	50	65	80	95
24.4	25.5					
32	21.5	17.6				
34	20.6	16.9				
38		15.7	12.5			
44		14.1	11.3	8.8		
48		13.4	10.7	8.4		
50			10.3	8.3		
60			9.0	7.1	5.2	2.9
65				6.5	4.8	2.8
75				5.8	4.0	2.3
85					3.5	
90					3.2	

82.3t rear counterweight and 36t carbody counterweight

Load capacities in [t] with 56m main boom 75°

Radius [m]	Jib length [m]					
	20	35	50	65	71	74
26	22.8					
34	19.2	15.1				
36	18.5	14.6				
40		13.5	11.1			
46		12.2	10.1	7.9		
48		11.9	9.8	7.8	6.9	
50		11.6	9.5	7.6	6.8	6.8
60			8.2	6.6	6.0	6.0
65			7.7	6.0	5.6	5.6
70				5.5	5.0	5.0
80				4.3	4.2	4.2
85					3.8	3.8

82.3t rear counterweight and 36t carbody counterweight

TLT 13197044. Above load charts are for reference only. For actual lift duty please refer to load chart in operator's cabin or manual. Otherwise we recommend you to plan your lifting job using Crane Planner 2.0.



www.liebherr.com/CranePlanner

Crane Planner 2.0

Load capacities with luffing jib

Load capacities in [t] with 20m main boom 65°

Radius [m]	Jib length [m]					
	20	35	50	65	80	95
24	35.6					
30	27.1					
32		24.4				
38		19.8				
42		17.4	16.8			
44		16.4	15.8			
50			13.4	11.8		
55			11.5	11.0		
60				9.5	6.9	
70				6.6	6.2	3.2
85					3.8	2.4
90						2.1

82.3t rear counterweight and 36t carbody counterweight

Load capacities in [t] with 29m main boom 65°

Radius [m]	Jib length [m]					
	20	35	50	65	80	95
28	28.0					
34	22.1					
36		19.9				
44		15.5	14.8			
48		13.8	13.2			
55			11.0	10.1		
60			9.7	8.9		
65				7.9	6.5	
70				7.0	6.2	3.2
75				6.2	5.5	3.0
90					3.7	2.3
95						2.1

82.3t rear counterweight and 36t carbody counterweight

Load capacities in [t] with 41m main boom 65°

Radius [m]	Jib length [m]					
	20	35	50	65	80	95
31.7	22.0					
38	17.6					
42		14.8				
50		11.8	11.1			
60			8.5	7.6		
65			7.5	6.7		
70				5.9	4.9	
75				5.2	4.3	2.9
80				4.6	3.7	2.6
85					3.2	2.1
90					2.8	
95					2.4	

82.3t rear counterweight and 36t carbody counterweight

Load capacities in [t] with 50m main boom 65°

Radius [m]	Jib length [m]					
	20	35	50	65	80	86
35.5	17.5					
36	17.2					
38	16.1					
42	14.2					
46		11.8				
50		10.6				
55		9.2	8.3			
65			6.6	5.4		
70			5.8	4.7	3.6	
75				4.2	3.1	2.6
80				3.7	2.6	2.2
85				3.2	2.2	

82.3t rear counterweight and 36t carbody counterweight

Load capacities in [t] with 56m main boom 65°

Radius [m]	Jib length [m]					
	20	35	50	65	71	74
38.1	14.8					
40	14.0					
42	13.3					
46	11.8					
48		10.0				
50		9.5				
60		7.5	6.4			
65			5.7	4.4		
70			5.1	3.8	3.4	3.2
75			4.5	3.3	2.9	2.7
80				2.9	2.4	2.3
85				2.5	2.0	

82.3t rear counterweight and 36t carbody counterweight

TLT 13197044. Above load charts are for reference only. For actual lift duty please refer to load chart in operator's cabin or manual. Otherwise we recommend you to plan your lifting job using Crane Planner 2.0.

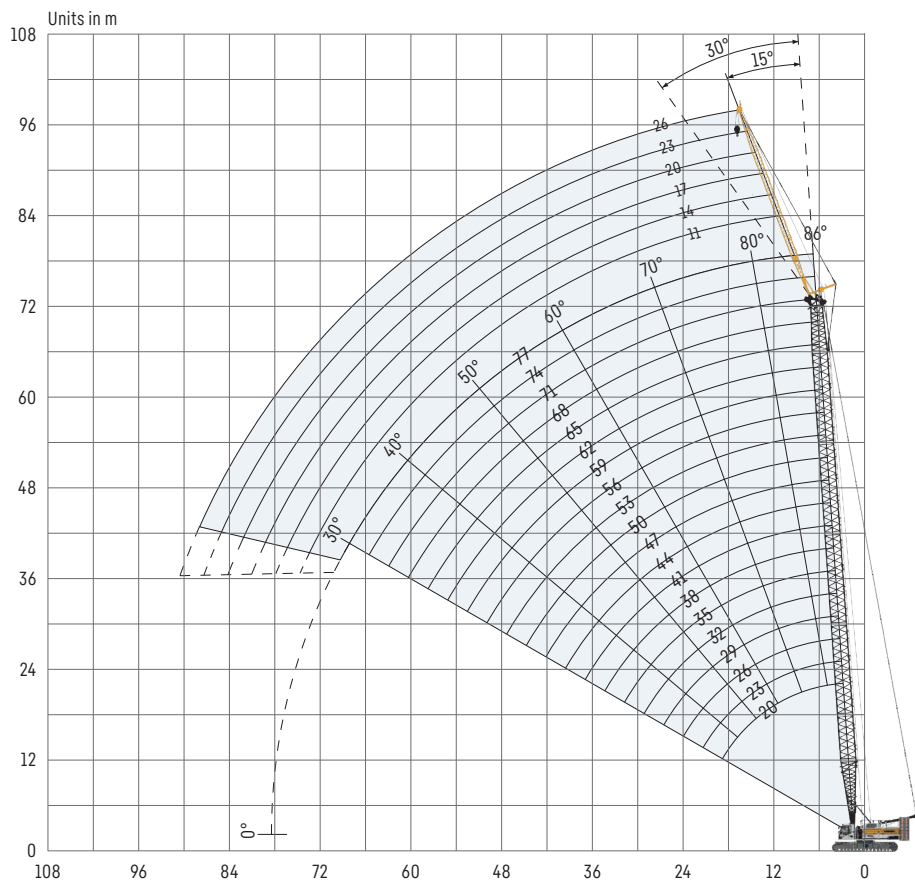


www.liebherr.com/CranePlanner

Crane Planner 2.0

Fixed jib 1008.xx

Jib lengths 11-26 m



Jib configuration 1008.xx

Jib section	Amount of jib sections					
	11	14	17	20	23	26
Boom foot 5.5 m	1	1	1	1	1	1
Jib section 3 m		1		1		1
Jib section 6 m			1	1	2	2
Jib head 5.5 m	1	1	1	1	1	1
Jib length [m]	11	14	17	20	23	26

For main boom configuration please refer to the table on page 20.

Load capacities with fixed jib 15°

Load capacities in [t] with 20m main boom

Radius [m]	Jib length [m]			
	11	14	20	26
11	35.9			
14	35.9	31.2		
16	35.8	29.8		
18	34.3	28.2	21.1	16.3
20	32.9	26.5	19.9	15.4
24	27.5	24.0	17.0	13.4
28	24.0	20.7	14.8	11.7
30	23.4	19.5	13.8	11.1
32		18.3	13.0	10.5
34			12.4	9.9
40				8.6
45				7.8

82.3t rear counterweight and 36t carbody counterweight

Load capacities in [t] with 35m main boom

Radius [m]	Jib length [m]			
	11	14	20	26
11	35.9	33.6	27.1	
12	35.9	33.2	26.4	
16	35.9	31.5	23.6	17.3
20	35.9	29.8	21.5	15.7
28	28.4	25.6	17.8	13.4
36	20.0	20.3	14.6	11.2
40	17.1	17.4	13.3	10.4
42	15.9	16.1	12.8	9.9
44		15.0	12.4	9.6
46		14.0	12.1	9.2
50			11.6	8.7
55				8.1

82.3t rear counterweight and 36t carbody counterweight

Load capacities in [t] with 50m main boom

Radius [m]	Jib length [m]			
	11	14	20	26
9	35.9	34.1		
12	35.9	33.0	25.6	
16	35.9	31.5	23.4	16.9
20	34.4	30.2	21.6	15.6
28	27.5	26.4	19.3	13.8
36	19.0	19.3	16.9	12.7
44	13.8	14.1	14.5	10.9
46	12.8	13.0	13.5	10.6
55	9.2	9.4	9.8	9.2
60			8.3	8.6
65			6.9	7.3
70				6.1

82.3t rear counterweight and 36t carbody counterweight

Load capacities in [t] with 65m main boom

Radius [m]	Jib length [m]			
	11	14	20	26
9	35.9	31.7		
12	33.2	30.2	22.6	
16	28.9	27.0	21.0	15.7
20	25.3	24.0	19.6	14.6
28	21.5	20.5	17.2	13.3
36	18.0	17.7	15.9	12.5
50	10.2	10.4	10.8	10.8
55	8.3	8.5	9.0	9.3
60	6.8	7.0	7.4	7.8
70		4.6	5.0	5.3
75			4.0	4.3
84				2.7

82.3t rear counterweight and 36t carbody counterweight

Load capacities in [t] with 74m main boom

Radius [m]	Jib length [m]			
	11	14	17	23
10	27.9	26.1		
13	25.0	24.0	22.2	17.2
14	24.1	23.1	21.7	17.2
22	18.8	18.2	17.4	15.0
30	16.4	15.9	15.2	13.8
40	13.9	13.7	13.6	12.3
42	13.3	13.1	13.0	12.1
46	11.3	11.5	11.8	11.2
60	6.2	6.4	6.6	7.0
65	4.9	5.1	5.3	5.7
70	3.8	4.0	4.2	4.5
75	2.8	3.0	3.2	3.6

82.3t rear counterweight and 36t carbody counterweight

TLT 13197044. Above load charts are for reference only. For actual lift duty please refer to load chart in operator's cabin or manual. Otherwise we recommend you to plan your lifting job using Crane Planner 2.0.



www.liebherr.com/CranePlanner

Crane Planner 2.0

Load capacities with fixed jib 30°

Load capacities in [t] with 20m main boom

Radius [m]	Jib length [m]			
	11	14	20	26
13	31.2			
14	29.8	24.7		
18	25.1	21.6	17.2	11.9
22	22.8	18.7	13.0	10.5
26	20.3	16.7	12.0	9.2
30	19.0	15.2	12.1	8.3
32		14.8	12.0	7.9
34		14.4	11.7	7.6
36			11.4	7.3
38				7.1
42				6.7
44				6.6

82.3t rear counterweight and 36t carbody counterweight

Load capacities in [t] with 35m main boom

Radius [m]	Jib length [m]			
	11	14	20	26
11	35.9			
13	34.3	27.2		
22	25.9	21.5	14.2	11.0
24	24.7	20.5	13.6	10.4
28	23.4	18.7	12.4	9.5
32	21.6	17.3	11.8	8.8
42	16.0	15.0	9.9	7.5
44	14.8	14.8	9.7	7.3
46		14.1	9.5	7.1
48			9.4	6.9
50			9.3	6.8
55				6.6

82.3t rear counterweight and 36t carbody counterweight

Load capacities in [t] with 50m main boom

Radius [m]	Jib length [m]			
	11	14	20	26
9.4	35.9			
12	35.9	28.8		
13	35.6	28.5		
20	29.8	24.3	15.9	11.9
30	24.0	20.5	13.1	9.6
40	16.5	16.8	11.6	8.3
50	11.2	11.5	10.3	7.4
55	9.3	9.6	9.9	7.0
60		7.9	8.5	6.8
62			7.9	6.7
65			7.0	6.6
70				6.2

82.3t rear counterweight and 36t carbody counterweight

Load capacities in [t] with 65m main boom

Radius [m]	Jib length [m]			
	11	14	20	26
9.9	31.9			
11	31.9			
12	31.4	25.5		
14	30.2	25.1		
24	22.9	20.1	14.8	11.0
36	18.6	17.0	12.4	9.2
40	15.7	15.5	12.1	8.7
50	10.4	10.7	10.6	7.8
65	5.6	5.9	6.4	6.8
70	4.5	4.7	5.2	5.6
75			4.1	4.5
80				3.6

82.3t rear counterweight and 36t carbody counterweight

Load capacities in [t] with 74m main boom

Radius [m]	Jib length [m]			
	11	14	17	23
10.2	26.3			
12	26.2			
16	22.7	21.3	21.3	
18	21.3	20.1	18.3	13.5
24	18.0	17.3	16.1	12.5
32	16.0	15.2	14.4	11.2
44	12.6	12.7	12.4	9.8
48	10.7	11.0	11.4	9.5
60	6.4	6.7	7.0	7.5
65	5.1	5.3	5.6	6.1
70	3.9	4.1	4.4	4.9
75	2.9	3.1	3.4	3.8

82.3t rear counterweight and 36t carbody counterweight

TLT 13197044. Above load charts are for reference only. For actual lift duty please refer to load chart in operator's cabin or manual. Otherwise we recommend you to plan your lifting job using Crane Planner 2.0.

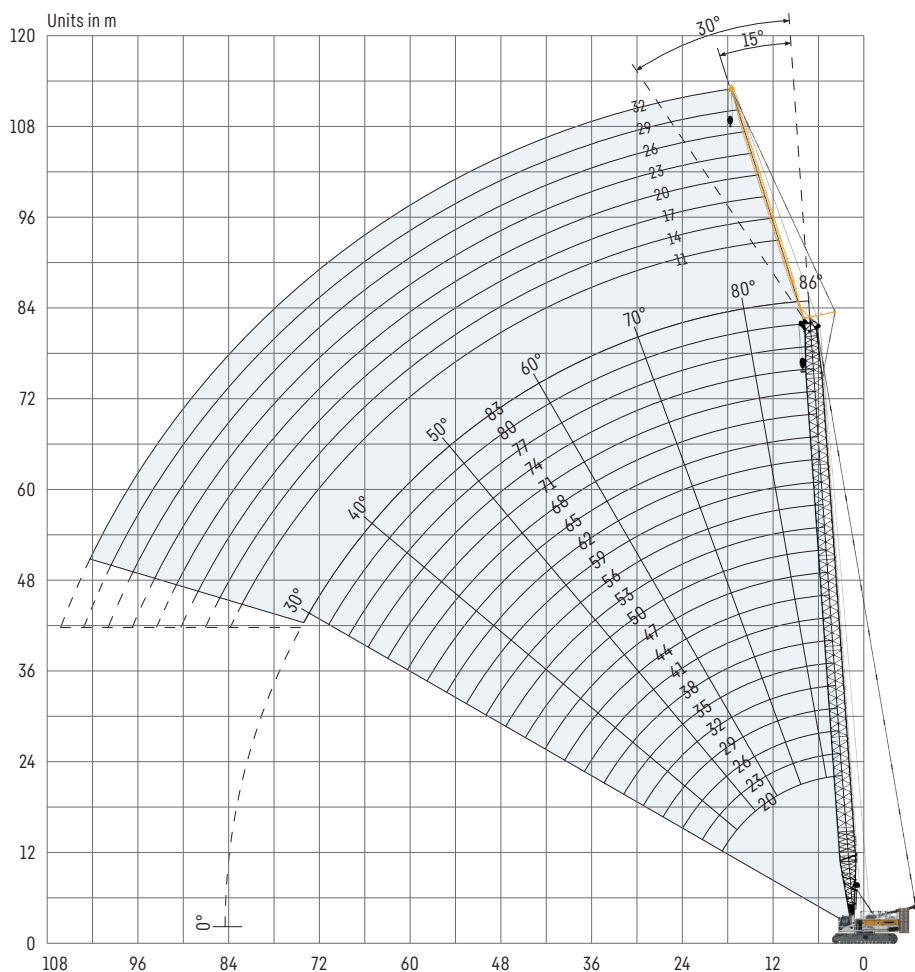


www.liebherr.com/CranePlanner

Crane Planner 2.0

Fixed jib 0806.xx

Jib lengths 11-32 m



Jib configuration 0806.xx

Jib section	Amount of jib sections							
Jib foot 5.5 m	1	1	1	1	1	1	1	1
Jib section 3 m		1		1		1		1
Jib section 6 m			1	1	2	2	3	3
Jib head 5.5 m	1	1	1	1	1	1	1	1
Jib length [m]	11	14	17	20	23	26	29	32

For main boom configuration please refer to the table on page 20.

Load capacities with fixed jib 15°

Load capacities in [t] with 20 m main boom

Radius [m]	Jib length [m]				
	11	17	23	29	32
13	19.6				
16	18.4	11.8			
18	17.7	11.3	8.8		
20	17.2	10.9	8.5	6.0	4.8
28	15.1	9.7	7.5	5.2	4.1
30	14.6	9.5	7.3	5.0	4.0
36		8.6	6.8	4.6	3.6
38			6.5	4.5	3.5
42			6.0	4.3	3.3
46				4.2	3.2
48				4.1	3.2
50					3.1

82.3t rear counterweight and 36t carbody counterweight

Load capacities in [t] with 35 m main boom

Radius [m]	Jib length [m]				
	11	17	23	29	32
10	22.0				
12	21.3	13.1			
14	20.9	12.7	9.4		
16	20.2	12.3	9.2	6.5	
22	18.6	11.3	8.5	5.9	4.7
28	17.3	10.5	8.0	5.5	4.3
40	15.1	9.4	7.1	4.7	3.7
42	14.7	9.3	7.0	4.6	3.6
44		9.0	6.9	4.5	3.5
48		8.7	6.6	4.4	3.4
55			6.0	4.2	3.2
60				4.1	3.1

82.3t rear counterweight and 36t carbody counterweight

Load capacities in [t] with 50 m main boom

Radius [m]	Jib length [m]				
	11	17	23	29	32
8	20.6				
10	20.2	12.5			
12	19.9	12.2	8.7		
14	19.4	11.9	8.5	6.0	
16	19.1	11.7	8.4	5.9	4.9
32	17.1	10.2	7.5	5.1	4.1
46	13.5	9.4	6.9	4.6	3.6
55	10.0	9.0	6.7	4.3	3.3
60		8.7	6.4	4.1	3.2
65			6.1	4.1	3.1
70				4.0	3.1
75					3.1

82.3t rear counterweight and 36t carbody counterweight

Load capacities in [t] with 65 m main boom

Radius [m]	Jib length [m]				
	11	17	23	29	32
7.2	18.1				
10	17.8	11.4			
13	17.5	11.2	7.6		
16	17.2	11.0	7.5	5.2	4.3
34	15.9	9.9	6.8	4.7	3.9
50	10.9	9.2	6.4	4.4	3.5
60	7.6	8.1	6.3	4.2	3.4
65	6.3	6.8	6.2	4.1	3.3
75		4.7	5.2	4.0	3.1
80			4.3	4.0	3.1
85				3.9	3.1
90					3.1

82.3t rear counterweight and 36t carbody counterweight

Load capacities in [t] with 80 m main boom

Radius [m]	Jib length [m]				
	11	14	17	20	23
7.8	14.1				
9	14.1	11.1			
11	13.9	11.0	8.5		
12	13.8	10.9	8.5	7.2	
13	13.7	10.9	8.4	7.2	5.8
20	13.2	10.4	8.2	7.0	5.6
30	12.6	10.0	7.8	6.8	5.5
46	11.5	9.6	7.6	6.6	5.3
65	5.3	5.6	5.8	6.0	5.2
70	4.2	4.5	4.7	4.9	5.2
75	3.2	3.5	3.7	4.0	4.2
80			2.9	3.1	3.3

82.3t rear counterweight and 36t carbody counterweight

TLT 13197044. Above load charts are for reference only. For actual lift duty please refer to load chart in operator's cabin or manual. Otherwise we recommend you to plan your lifting job using Crane Planner 2.0.



www.liebherr.com/CranePlanner

Crane Planner 2.0

Load capacities with fixed jib 30°

Load capacities in [t] with 20m main boom

Radius [m]	Jib length [m]				
	11	17	23	29	32
15	17.1				
18	16.4				
20	16.0	10.1			
22	15.5	9.9	7.6		
24	14.6	9.7	7.4	5.2	
26	13.8	9.5	7.2	5.0	4.0
30	12.9	8.8	6.8	4.7	3.7
36		8.0	6.1	4.4	3.4
42			5.7	4.2	3.3
46				4.2	3.1
48				4.1	3.1
50					3.1

82.3t rear counterweight and 36t carbody counterweight

Load capacities in [t] with 35m main boom

Radius [m]	Jib length [m]				
	11	17	23	29	32
13	18.5				
16	17.8	10.9			
18	17.4	10.6			
22	16.7	10.3	7.8	5.4	
34	14.2	9.4	7.0	4.7	3.7
44	11.0	8.4	6.2	4.4	3.3
46		8.2	6.0	4.3	3.3
48		8.0	5.9	4.3	3.3
50		8.0	5.9	4.3	3.2
55			5.7	4.2	3.2
60				4.2	3.1
65					3.1

82.3t rear counterweight and 36t carbody counterweight

Load capacities in [t] with 50m main boom

Radius [m]	Jib length [m]				
	11	17	23	29	32
11	17.8				
14	17.5	10.7			
18	17.2	10.4	7.6		
22	16.9	10.1	7.5	5.2	
24	16.8	10.1	7.4	5.1	4.0
36	15.6	9.5	7.0	4.7	3.6
46	13.7	8.9	6.6	4.4	3.4
55	10.1	8.3	6.0	4.2	3.2
60		8.1	5.9	4.2	3.2
65			5.7	4.1	3.1
70				4.1	3.1
75				4.1	3.1

82.3t rear counterweight and 36t carbody counterweight

Load capacities in [t] with 65m main boom

Radius [m]	Jib length [m]				
	11	17	23	29	32
9.9	16.3				
14	16.1	10.1			
18	16.0	9.9	7.0		
22	15.8	9.8	6.9	4.7	
24	15.8	9.7	6.8	4.7	3.9
36	15.4	9.3	6.7	4.5	3.6
48	12.0	9.1	6.5	4.4	3.4
70	5.3	5.8	5.9	4.2	3.2
75		4.8	5.3	4.2	3.2
80			4.4	4.2	3.2
85				4.0	3.2
90					3.2

82.3t rear counterweight and 36t carbody counterweight

Load capacities in [t] with 80m main boom

Radius [m]	Jib length [m]				
	11	14	17	20	23
10.4	13.3				
13	13.2	10.6			
16	13.1	10.5	8.2	7.1	
18	13.0	10.4	8.2	7.1	5.7
34	12.5	10.1	8.0	7.0	5.6
48	10.9	10.1	7.9	6.9	5.5
55	8.4	8.7	7.9	6.9	5.5
60	6.8	7.2	7.5	6.8	5.5
65	5.5	5.8	6.1	6.4	5.5
75	3.4	3.7	4.0	4.2	4.5
80		2.8	3.1	3.3	3.6
85					2.8

82.3t rear counterweight and 36t carbody counterweight

TLT 13197044. Above load charts are for reference only. For actual lift duty please refer to load chart in operator's cabin or manual. Otherwise we recommend you to plan your lifting job using Crane Planner 2.0.

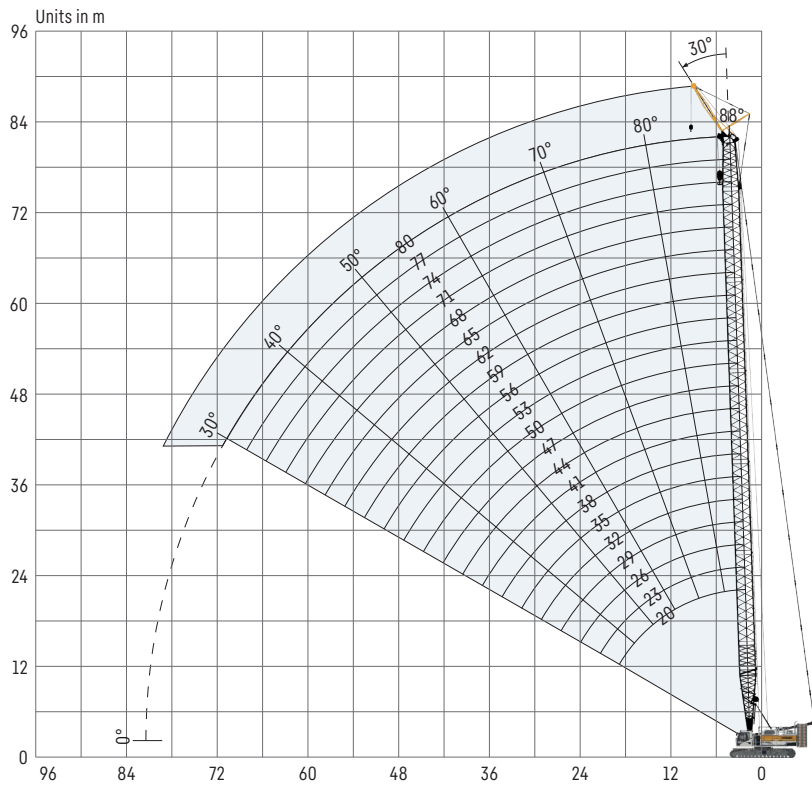


www.liebherr.com/CranePlanner

Crane Planner 2.0

Fixed jib 0906.21

Jib length 7 m



The jib length is 7 m, for main boom configuration please refer to the table on page 20.

Load capacities with fixed jib 30°

Load capacities in [t] with 20 m main boom

Radius [m]	Jib length 7 m
12	56.2
13	54.7
14	53.6
16	51.6
18	50.0
20	45.3
22	39.8
23	37.5
24	35.4
25	33.4
26	31.6
27	24.0

82.3t rear counterweight and 36t carbody counterweight

Load capacities in [t] with 35 m main boom

Radius [m]	Jib length 7 m
10	54.7
11	53.3
13	50.4
16	47.1
20	43.5
24	35.0
28	28.2
32	23.4
34	21.4
36	19.6
38	18.0
40	16.6

82.3t rear counterweight and 36t carbody counterweight

Load capacities in [t] with 50 m main boom

Radius [m]	Jib length 7 m
7.9	50.6
9	49.9
11	47.8
16	43.1
24	34.1
28	27.4
32	22.6
36	18.9
40	15.9
44	13.5
48	11.6
50	10.7

82.3t rear counterweight and 36t carbody counterweight

Load capacities in [t] with 65 m main boom

Radius [m]	Jib length 7 m
8.4	39.1
10	38.4
14	34.4
22	28.8
30	23.7
38	16.5
42	13.9
46	11.7
50	9.9
55	8.1
60	6.5
65	5.2

82.3t rear counterweight and 36t carbody counterweight

Load capacities in [t] with 77 m main boom

Radius [m]	Jib length 7 m
8.8	28.2
16	25.1
26	20.3
36	16.8
42	13.2
46	11.0
48	10.1
50	9.2
55	7.4
60	5.8
65	4.5
70	3.4

82.3t rear counterweight and 36t carbody counterweight

TLT 13197044. Above load charts are for reference only. For actual lift duty please refer to load chart in operator's cabin or manual. Otherwise we recommend you to plan your lifting job using Crane Planner 2.0.



www.liebherr.com/CranePlanner

 **Crane Planner 2.0**



Download datasheet



Please contact us.

Liebherr-Werk Nenzing GmbH · Dr. Hans Liebherr Str. 1 · 6710 Nenzing, Austria
Phone +43 50809 41-473 · crawler.crane@liebherr.com · www.liebherr.com
facebook.com/LiebherrConstruction