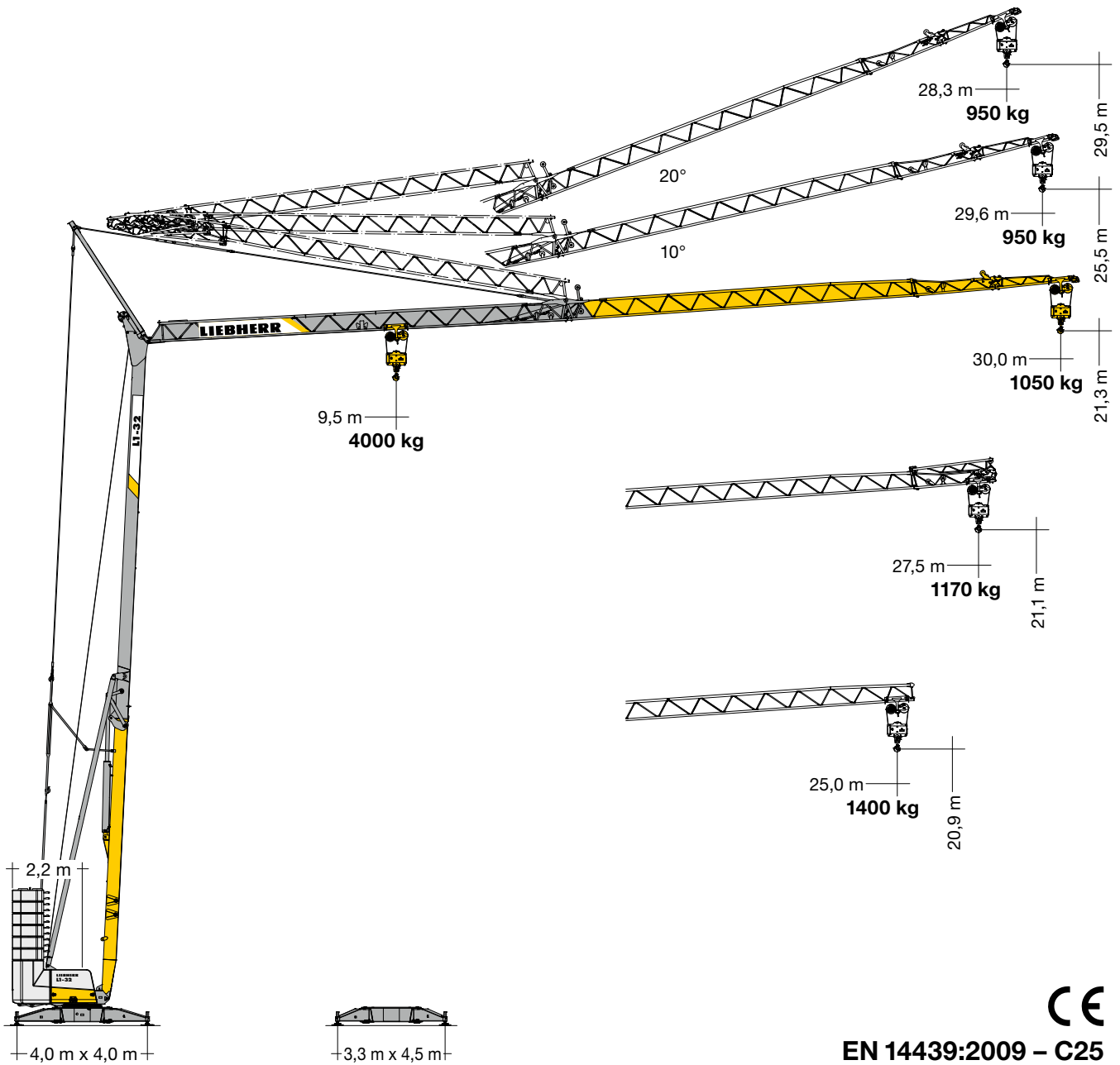


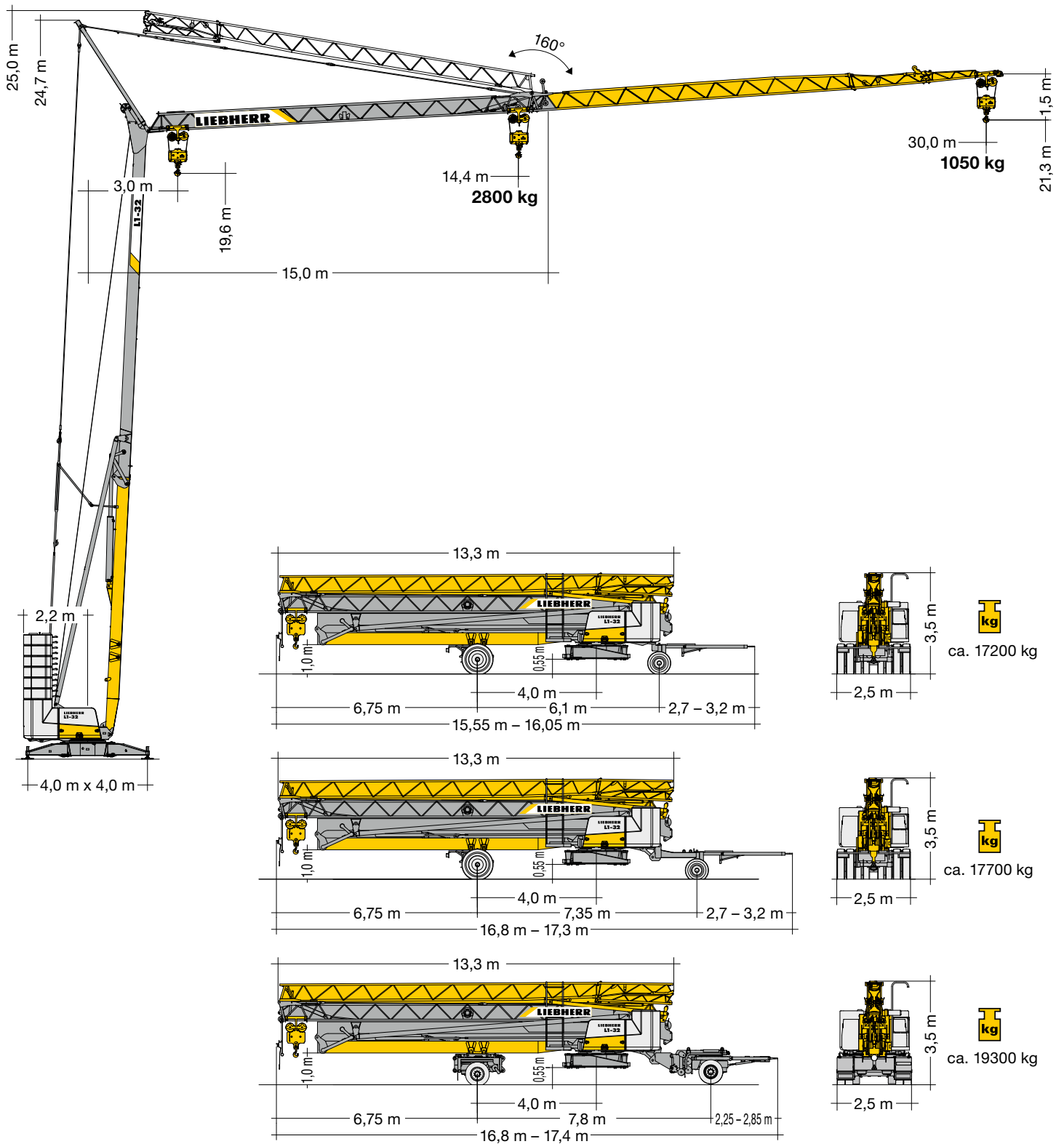
# Turmdrehkran L1-32

Tower Crane / Grue à tour / Gru a torre / Grúa torre /  
Guindaste de torre / Кран башенный



EN 14439:2009 – C25

# LIEBHERR



## Gewicht Weight / Poids / Peso / Peso / Pesos / Macca

	<p>17.000 kg<sup>1)</sup>          19.000 kg<sup>1)</sup>          15.000 kg<sup>1)</sup></p>	<p>r = 2,2 m</p>		<p>10100 kg</p>
--	---	------------------	--	-----------------

# Ausladung und Tragfähigkeit

Radius and capacity/Portée et charge/Sbraccio e portata/  
Alcances y cargas/Alcance e capacidade de carga/Вылет и грузоподъемность

m	m/kg	Auslegersteilstellung 0°/Elevated jib 0°/Flèche inclinée 0°/Braccio inclinato a 0°/ Pluma inclinada 0°/Lança inclinada 0°/Положение стрелы под углом 0°																						
		10,0	11,0	12,0	13,0	14,0	14,4	15,0	16,0	17,0	18,0	19,0	20,0	21,0	22,0	23,0	24,0	25,0	26,0	27,0	27,5	28,0	29,0	30,0
30,0	3,0 – 9,5 4000	3750	3350	3030	2770	2540	2470	2350	2180	2030	1910	1790	1690	1600	1510	1440	1370	1300	1240	1190	1160	1140	1090	1050
27,5	3,0 – 9,5 4000	3770	3370	3050	2780	2560	2480	2360	2190	2050	1920	1800	1700	1600	1520	1440	1370	1310	1250	1200	1170			
25,0	3,0 – 10,0 4000	4000	3600	3250	2970	2730	2650	2520	2340	2180	2040	1920	1810	1710	1620	1540	1470	1400						
14,4	3,0 – 10,6 4000	4000	3840	3460	3150	2880	2800																	

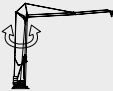
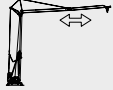

m	m/kg	Auslegersteilstellung 0°/Elevated jib 0°/Flèche inclinée 0°/Braccio inclinato a 0°/ Pluma inclinada 0°/Lança inclinada 0°/Положение стрелы под углом 0°																				15 t				
		8,0	9,0	10,0	11,0	12,0	13,0	14,0	14,4	15,0	16,0	17,0	18,0	19,0	20,0	21,0	22,0	23,0	24,0	25,0	26,0		27,0	27,5	28,0	29,0
30,0	3,0 – 8,7 4000	4000	3860	3460	3130	2860	2630	2430	2370	2260	2110	1970	1860	1750	1650	1570	1490	1420	1350	1290	1240	1180	1160	1140	1090	1050
27,5	3,0 – 8,8 4000	4000	3910	3500	3170	2890	2660	2450	2390	2280	2130	1990	1870	1770	1670	1580	1500	1430	1360	1300	1250	1200	1170			
25,0	3,0 – 9,5 4000	4000	4000	3790	3420	3120	2860	2640	2570	2450	2290	2140	2010	1900	1790	1700	1620	1540	1470	1400						
14,4	3,0 – 10,5 4000	4000	4000	4000	3790	3430	3130	2880	2800																	

m	m/kg	Auslegersteilstellung 10°/Elevated jib 10°/Flèche inclinée 10°/Braccio inclinato a 10°/ Pluma inclinada 10°/Lança inclinada 10°/Положение стрелы под углом 10°																							
		10,0	11,0	12,0	13,0	14,0	14,2	15,0	16,0	17,0	18,0	19,0	20,0	21,0	22,0	23,0	24,0	24,7	25,0	26,0	27,0	27,1	28,0	29,0	29,6
30,0	3,0 – 16,6 2000	2000	2000	2000	2000	2000	2000	2000	2000	1930	1800	1680	1570	1470	1390	1310	1240	1200	1180	1120	1070	1060	1020	970	950
27,5	3,0 – 16,7 2000	2000	2000	2000	2000	2000	2000	2000	2000	1950	1810	1690	1580	1480	1400	1320	1250	1210	1190	1130	1080	1070			
25,0	3,0 – 17,7 2000	2000	2000	2000	2000	2000	2000	2000	2000	2000	1950	1820	1700	1600	1510	1420	1350	1300							
14,4	3,0 – 14,2 2000	2000	2000	2000	2000	2000	2000	2000	2000																

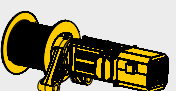

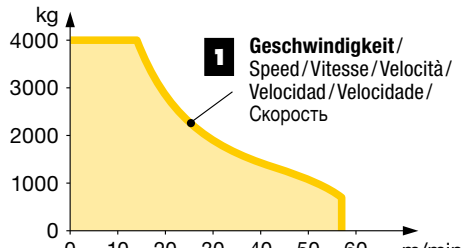
m	m/kg	Auslegersteilstellung 20°/Elevated jib 20°/Flèche inclinée 20°/Braccio inclinato a 20°/ Pluma inclinada 20°/Lança inclinada 20°/Положение стрелы под углом 20°																					
		10,0	11,0	12,0	13,0	13,6	14,0	15,0	16,0	17,0	18,0	19,0	20,0	21,0	22,0	23,0	23,6	24,0	25,0	26,0	27,0	28,0	28,3
30,0	3,0 – 28,3 950	950																					
27,5	2,8 – 26,0 950	950																					
25,0	3,0 – 23,6 950	950																					
14,4	3,0 – 13,6 950	950																					


# Antriebe

Driving units/Mécanismes d'entraînement/Meccanismi/Mecanismos/Mecanismos/Приводы

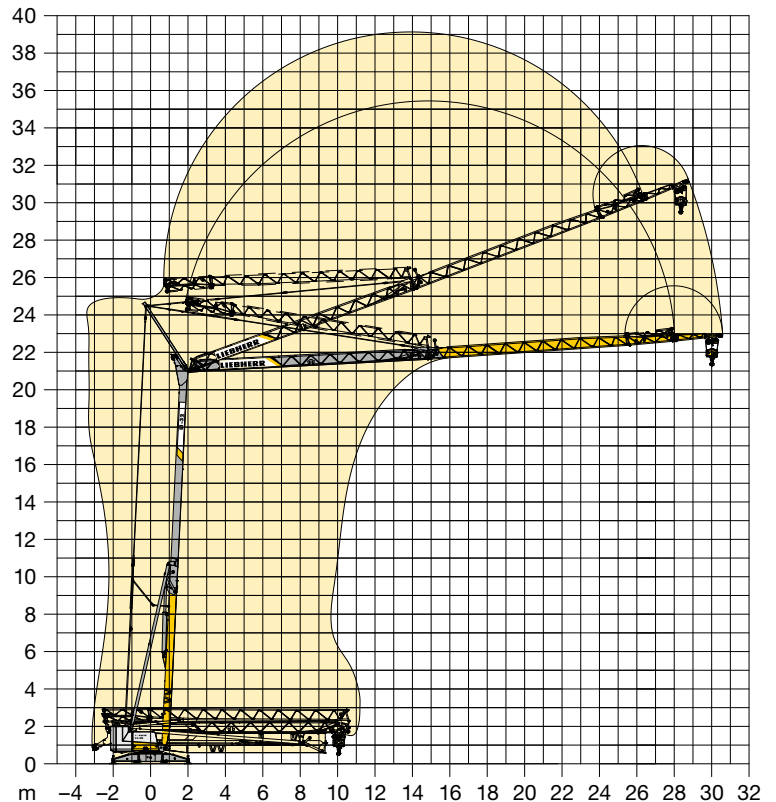
	U/min 0 ↔ 0,8 sl./min tr./min	2,2 kW FU
	0 ↔ 54,0 m/min	2,5 kW FU
	2 min./160°	2,2 kW

BGL		C.0.02.0031
-----	---	-------------

	↔ stufenlos/stepless/régl. continu/ regl. progressiva/sin escalones/ sem degraus/бесступенчатый
11 kW FU	kg m/min
	<b>Geschwindigkeit</b> Speed Vitesse Velocità Velocidad Velocidade Скорость
	4000 0 ↔ 14 700 0 ↔ 57
	<b>1</b> Geschwindigkeit/ Speed/Vitesse/Velocità/ Velocidad/Velocidade/ Скорость

	400 – 440 V	50 – 60 Hz	15 kVA
---	-------------	------------	--------

<sup>1)</sup> siehe Betriebsanleitung./see instruction manual./voir manuel de service./vedi manuale d'istruzione./ver manual de instrucción./ver manual de instruções./  
см. инструкцию по эксплуатации.



## Kolli-Liste

Packing List / Liste de colisage / Lista dei colli /  
Lista de contenido / Lista de embalagem / Упаковочный лист

Pos.	Anz.				L (m)	B (m)	H (m)	kg
1	1	<b>Transportachse vorne L1-Adapter</b> / Road transport axle front / Essieux de transport avant / Asse di trasporto anteriore / Eje delantero para transporte / Eixo de transporte dianteiro / Транспортировочная ось, передняя	Tra 100 KY 2 Tra 100 KY 6 Tra 100 KY 6 A		3,09	1,24	1,36	600
2	1	<b>Transportachse vorne, H-Adapter</b> / Road transport axle front, H adapter / Essieux de transport avant, pièce d'adapt. H / Assale anteriore, adattatore per H / Eje de transporte delantero, adaptador H / Eixo de transporte dianteiro, adaptador H / Транспортировочная ось, передняя, адаптер	Tra 100 KY 2 Tra 100 KY 6 Tra 100 KY 6 A		4,30	1,25	1,31	750
3	1	<b>Transportachse vorne m. Zwischenadapter</b> / Road transport axle front w. adapter / Essieux de transport avant a. pièce d'adapt. / Assale anteriore con adattatore intermedio / Eje de transporte delantero con adaptador intermedio / Eixo de transporte dianteiro com adaptador intermédio / Транспортировочная ось, передняя, с промежуточным адаптером	Tra 100 KY 2 Tra 100 KY 6 Tra 100 KY 6 A		4,30	1,25	1,31	950
4	1	<b>Transportachse hinten, H-Adapter</b> / Road transport axle behind, H adapter / Essieux de transport arrière, pièce d'adapt. H / Assale posteriore, adattatore per H / Eje de transporte trasero, adaptador H / Eixo de transporte traseiro, adaptador H / Транспортировочная ось, задняя, адаптер	Tra 120 GY 1 und/and/et/ e/y/y GY 1 A		1,60	2,50	1,20	1000
5	1	<b>Transportachse hinten m. Zwischenadapter</b> / Road transport axle behind w. adapter / Essieux de transport arrière a. pièce d'adapt. / Assale posteriore con adattatore intermedio / Eje de transporte trasero con adaptador intermedio / Eixo de transporte traseiro com adaptador intermédio / Транспортировочная ось, задняя, с промежуточным адаптером	Tra 120 GY 1 und/and/et/ e/y/y GY 1 A		1,75	2,50	1,25	1250
6	1	<b>Transportachse vorne LiTRAX HS-121</b> / Road transport axle front / Essieux de transport avant / Asse di trasporto anteriore / Eje delantero para transporte / Eixo de transporte dianteiro / Транспортировочная ось, передняя			3,65 – 4,25	2,10	1,15	1900
7	1	<b>Transportachse hinten LiTRAX HS-122 (ohne Lenkung)</b> / Road transport axle behind (without steering) / Essieux de transport arrière (sans direction) / Asse di trasporto posteriore (senza sterzo) / Eje trasero para transporte (sin sistema de dirección) / Eixo de transporte traseiro (sem esterço) / Транспортировочная ось, задняя (без управления)			1,95	2,50	1,10	1600
8	1	<b>Transportachse hinten LiTRAX HS-123 (mit Lenkung)</b> / Road transport axle behind (with steering) / Essieux de transport arrière (avec direction) / Asse di trasporto posteriore (con sterzo) / Eje trasero para transporte (con sistema de dirección) / Eixo de transporte traseiro (com esterço) / Транспортировочная ось, задняя (с управлением)			1,95	2,50	1,10	1700

**Änderungen vorbehalten!** / Subject to technical modifications! /  
Sous réserves de modifications! / Con riserva di modifiche! /  
¡Sujeto a modificaciones sin previo aviso! / Sujeto a modificaciones! /  
С правом внесения изменений!

**Sämtliche Angaben erfolgen ohne Gewähr.** / This information is supplied without liability. /  
Ces renseignements sont sans garantie. / Tutte le indicazioni fornite senza garanzia. /  
Declinamos toda responsabilidad derivada de la información proporcionada. / Declinamos  
qualquer responsabilidade quanto à informação fornecida. / Все данные указаны без обязательств.

TCS-002475-LBC-01 • EN 14439:2009 – A3 • BGL C.0.02.0031 • 04.20

Printed in Germany.

Liebherr-Werk Biberach GmbH  
Postfach 1663, D-88396 Biberach an der Riss  
☎ +49 73 51 41-0, Fax: +49 73 51 41 22 25  
www.liebherr.com, E-Mail: info.lbc@liebherr.com

Liebherr Industrias Metálicas, S.A.  
Polígono Industrial Agustinos, calle E, E-31014 Pamplona  
☎ +34 94829 70-00, Fax +34 94829 70-29  
www.liebherr.com, E-Mail: info.lim@liebherr.com